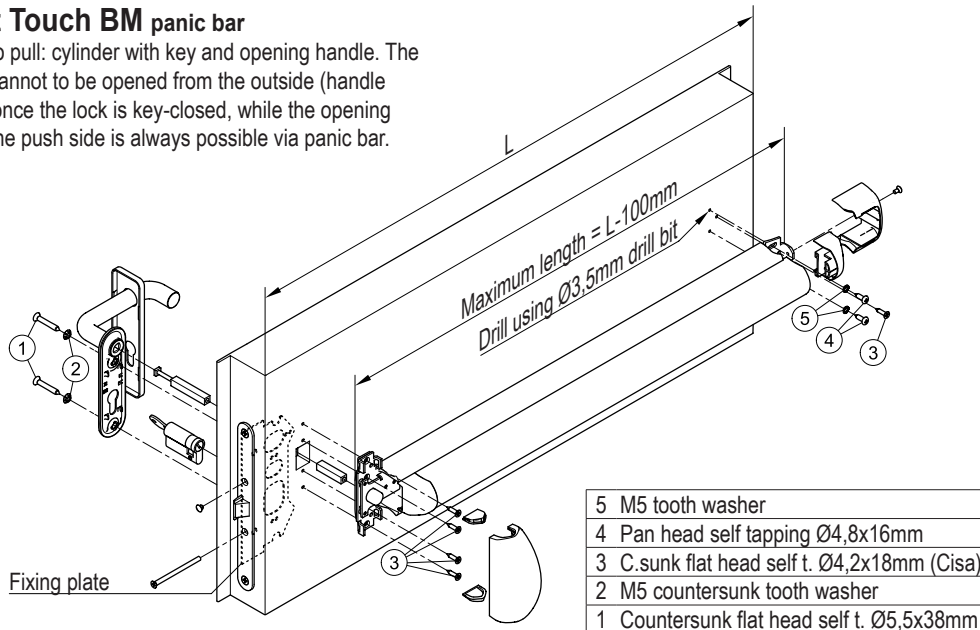


Fast Touch BM panic bar

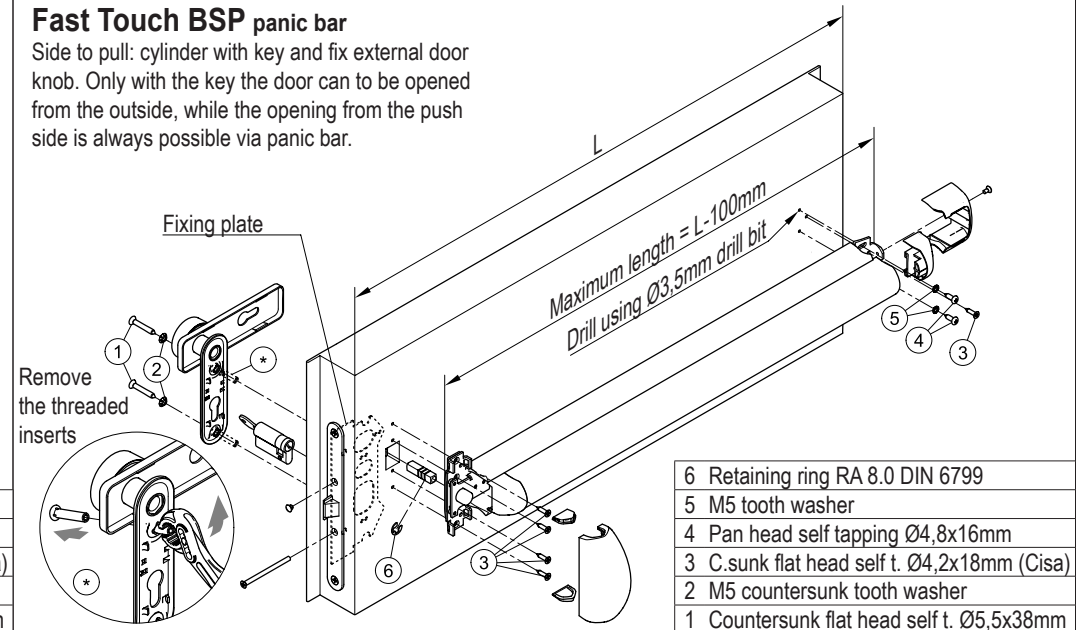
Side to pull: cylinder with key and opening handle. The door cannot to be opened from the outside (handle side) once the lock is key-closed, while the opening from the push side is always possible via panic bar.



- 5 M5 tooth washer
- 4 Pan head self tapping Ø4,8x16mm
- 3 C.sunk flat head self t. Ø4,2x18mm (Cisa)
- 2 M5 countersunk tooth washer
- 1 Countersunk flat head self t. Ø5,5x38mm

Fast Touch BSP panic bar

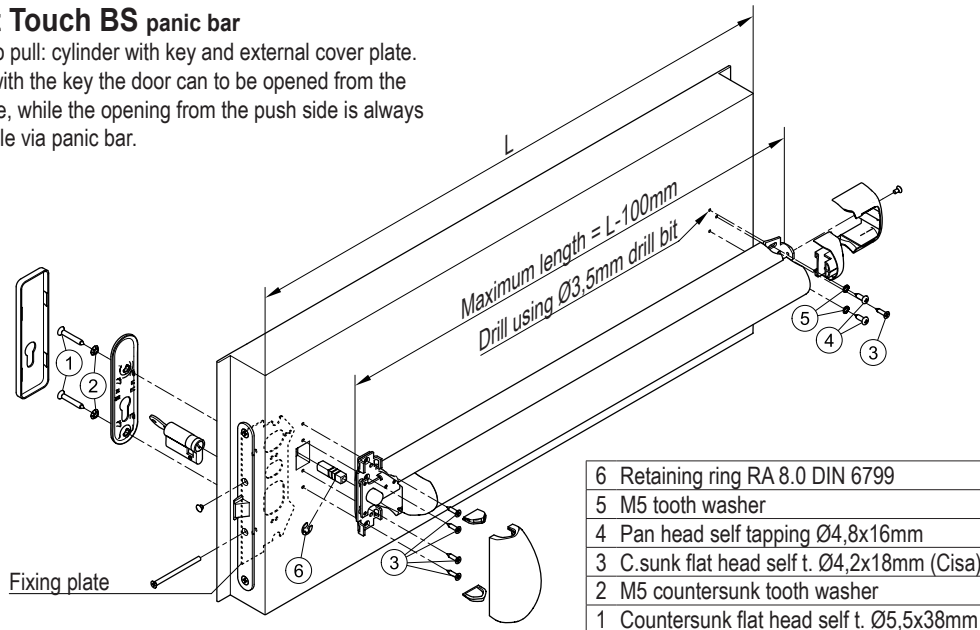
Side to pull: cylinder with key and fix external door knob. Only with the key the door can to be opened from the outside, while the opening from the push side is always possible via panic bar.



- 6 Retaining ring RA 8.0 DIN 6799
- 5 M5 tooth washer
- 4 Pan head self tapping Ø4,8x16mm
- 3 C.sunk flat head self t. Ø4,2x18mm (Cisa)
- 2 M5 countersunk tooth washer
- 1 Countersunk flat head self t. Ø5,5x38mm

Fast Touch BS panic bar

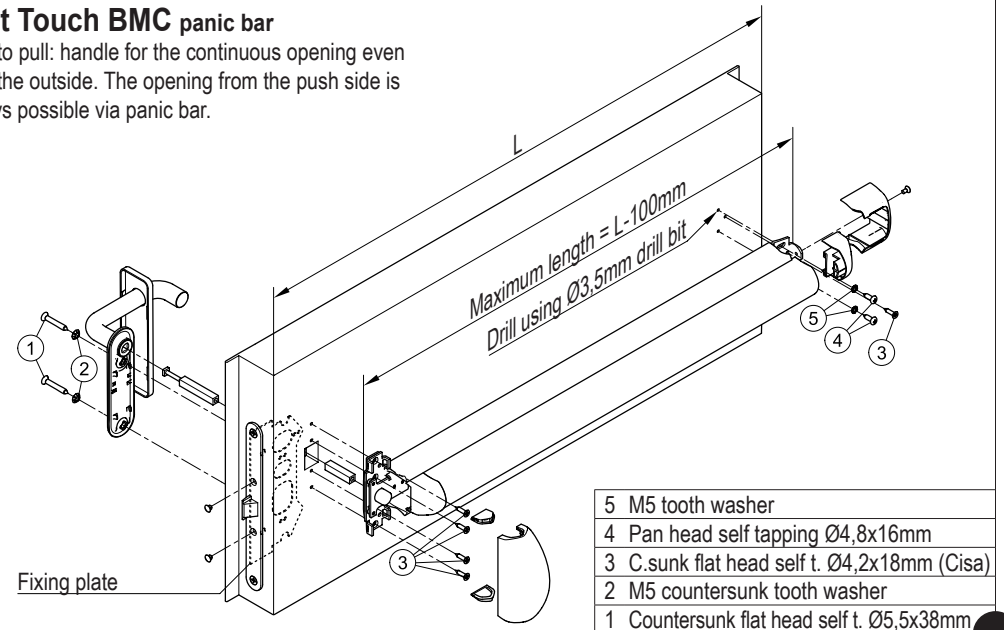
Side to pull: cylinder with key and external cover plate. Only with the key the door can to be opened from the outside, while the opening from the push side is always possible via panic bar.



- 6 Retaining ring RA 8.0 DIN 6799
- 5 M5 tooth washer
- 4 Pan head self tapping Ø4,8x16mm
- 3 C.sunk flat head self t. Ø4,2x18mm (Cisa)
- 2 M5 countersunk tooth washer
- 1 Countersunk flat head self t. Ø5,5x38mm

Fast Touch BMC panic bar

Side to pull: handle for the continuous opening even from the outside. The opening from the push side is always possible via panic bar.

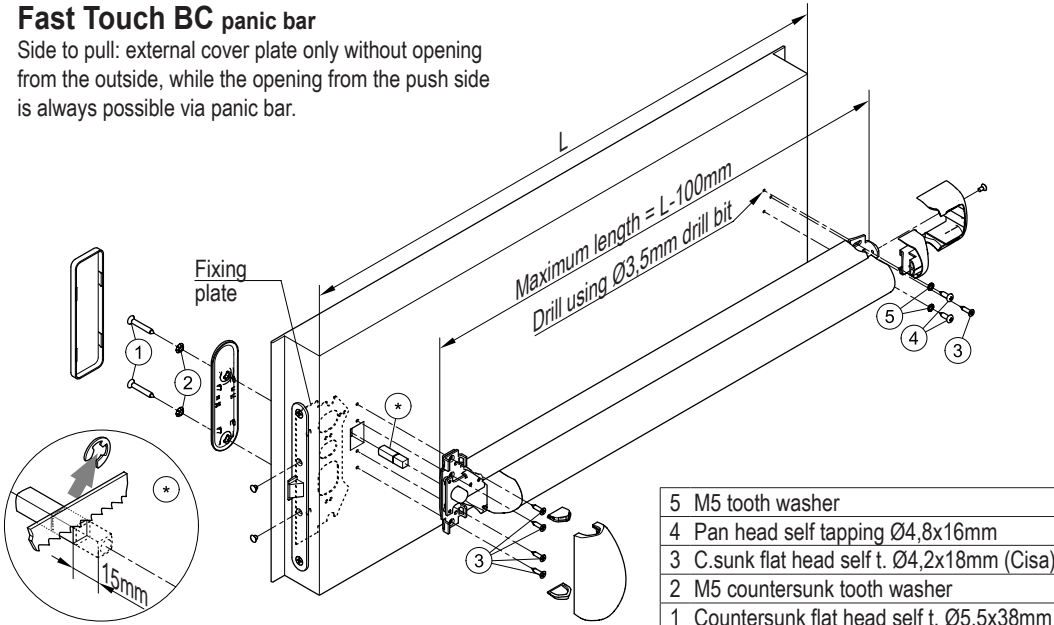


- 5 M5 tooth washer
- 4 Pan head self tapping Ø4,8x16mm
- 3 C.sunk flat head self t. Ø4,2x18mm (Cisa)
- 2 M5 countersunk tooth washer
- 1 Countersunk flat head self t. Ø5,5x38mm

Installation instructions for FAST TOUCH panic bar onto PROGET doors

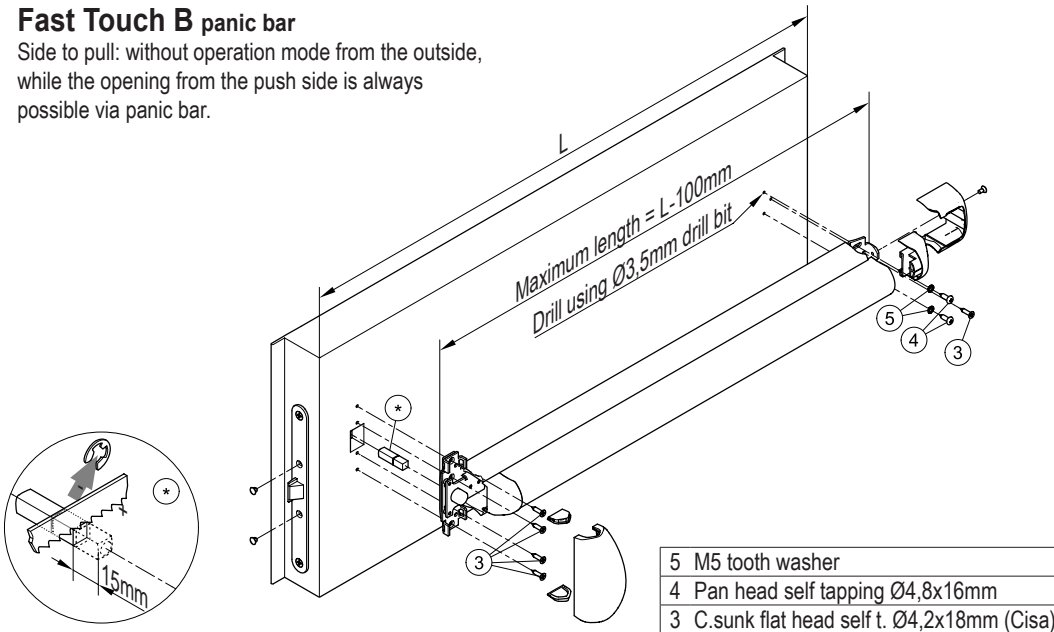
Fast Touch BC panic bar

Side to pull: external cover plate only without opening from the outside, while the opening from the push side is always possible via panic bar.



Fast Touch B panic bar

Side to pull: without operation mode from the outside, while the opening from the push side is always possible via panic bar.



Fast Touch A panic bar

Suitable for passive leaf only. Side to pull: without operation mode from the outside and complete with lock for the drive and the withdraw of the integrated vertical rods. The opening from the push side is always possible via panic bar.

