

INSTALLATION INSTRUCTION OF SCA ACCESS CONTROL SYSTEM

A029-GB

5001127/2 - 05/07

The SCA ACCESS CONTROL SYSTEM (12 V dc) can be used on single leaf doors or on main leaf of double leaf doors in the door-models PROGET, UNIVER, REVER.

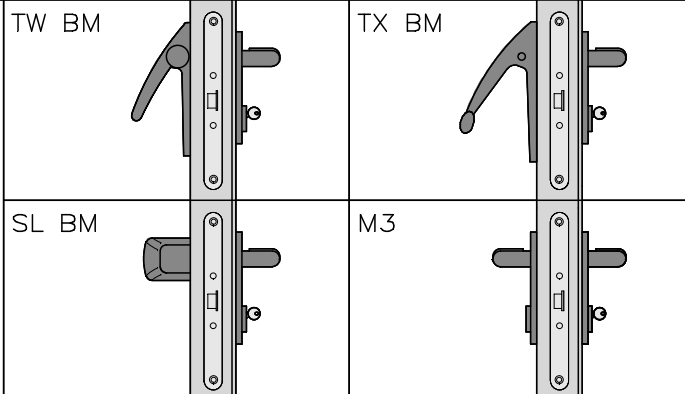
The door supplied with SCA system has a lock (antipanic or normal) with a built-in solenoid, cylinder or half cylinder, electric contacts frame/leaf and wiring from the lock to the electric contact of the leaf.

WARNING: Only use the cylinder and the 85mm length screw provided with the lock.

SCA 1 UNIDIRECTIONAL (12 V dc) antipanic

Only the pull side of the door is electrically controlled. With the antipanic lock SCA 1 locked with key the opening of the door is possible only with the electric consent (button, badge reader, etc.), while from the push side it is always possible by pressing the antipanic handle or crossbar. When the lock is not locked with the key the access control system is not active.

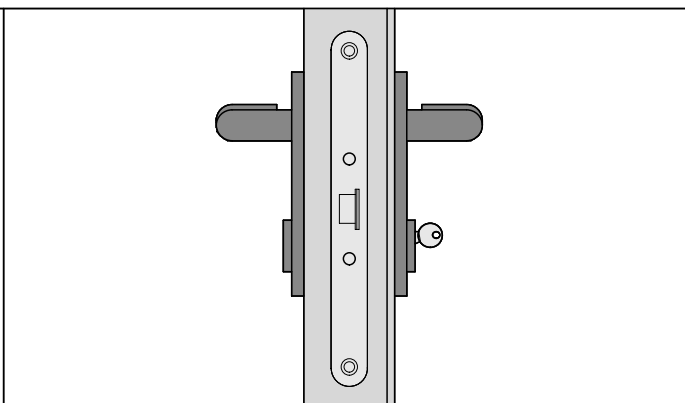
SCA 1 is combinable with antipanic crossbars TWIST TWBM - TAURUS SS TXBM - SLASH SLBM or with M3 handle.



SCA 2 BIDIRECTIONAL (12 V dc) normal

Both opening directions of the doors are electrically controlled (pull and push). With the normal lock SCA 2 locked with the key the opening of the door from both sides is possible with the electric consent only (button, badge reader, etc.). When the lock is not closed with the key the access control system is not active.

SCA 2 works combined to following handles: M1 - M1.2 - M1R - M1.2R - M1X - M1.2X - M1.2RX



OPERATING WAY

Function "DAY CONTROL"

Activated by means of a switch 12 V dc which gives current to the lock for a certain period of time. The door can be opened as long as the lock gets current.

Function "TO TIME"

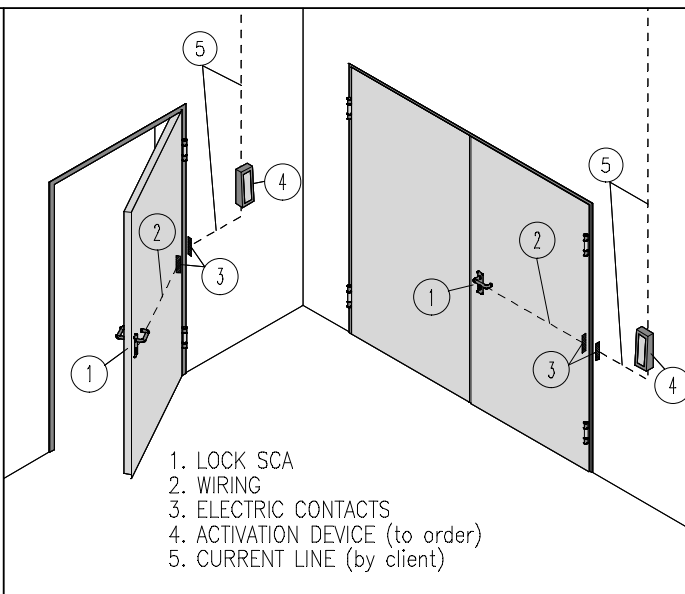
The activation is given by means of a timed impulse to the lock, adjustable from 1 to 30 seconds. When time elapses the handle disactivates.

To combine with:


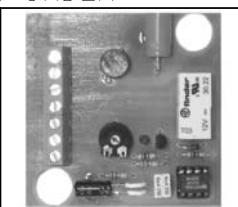
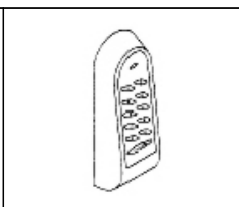



release switch with integrated timer (adjustable up to 30 seconds) 12 V dc, or coded keyboard "Access" with integrated timer 12 V dc, or magnetic card-reader 12 V dc.

Power source 12 V dc $\pm 1V$ (13 V dc max / 590 mA)

Absorption 550 mA



ACCESSORIES TO ORDER

					
Release switch	Electronic board with timer for the release switch	Keyboard	Control system with cards	Touch digital access	Power source switching

INSTALLATION INSTRUCTION OF SCA ACCESS CONTROL SYSTEM

1

LEFT (SX)
RIGHT (DX)

Verify and ascertain the opening direction of door. Verify the position of the power source tube. The sketch shows the opening of a right-handed door. H standard approx. 850 mm.

1a

1b

Assemble the door-frame as prescribed by the specific installation instructions. Open the connection box placed at hinges side behind the frame and insert the power source tube into the box.

2

Assemble the door as prescribed by the specific installation instructions including accessories and control that all works properly. NB. For the installation of the handle or/and crossbar in according to the original instructions, invert the spacer paying attention not to over tighten the screws. Before to fix or cement definitively the door carry out points 2a and 2b. Proceed with the vertical adjustment of the hinges. **WARNING:** only use the cylinder and the 85mm length screw provided with the lock.

2a

2b

Unfasten the frame-contact and connect the 12 V dc wires. Fasten the contact again. Verify that the two contacts join correctly. Close the door with the key and verify the perfect working of the access system referring to the indications for the SCA 1 and SCA 2 systems and the operating ways "day control" and "to time".

CONNECTION PLAN

Lock SCA

Electric contacts

Entering tension 12 V dc

Technical data of of the electric SCA lock:
Power source 12 V dc $\pm 1V$ (13 V dc max / 590 mA)
Absorbtion 550 mA

*
for the working way "day control": electric switch 12 V dc
for the working way "to time": release switch with integrated timer (adjustable up to 30 seconds) 12 V dc,
or coded keyboard "Access" with integrated timer 12 V dc
or magnetic card-reader 12 V dc
or touch digital access 12 V dc.

USE AND SERVICE:

It is advisable to verify periodically the correct working of the control system and the correct closing of the door (the lock must always be locked with the key). The SCA system does not need any particular service. The mechanism of the lock should be periodically lubricate with non fluid greases. The use of spray products is forbidden ! Clean also periodically the electric contacts leaf-frame.