

*Denomination* SLASH PANIC EXIT DEVICE

*Commercial codes*

SLASH A art. 4201101.065  
SLASH AR art. 4201101.066

*Producer* Ninz s.p.a. Corso Trento, 2/A  
I-38061 ALA (TN) / ITALY

*Classification no.*

1<sup>st</sup> Character - grade 3 - Category of use high frequency  
2<sup>nd</sup> Character - grade 7 - Durability: 200,000 cycles  
3<sup>rd</sup> Character - grade 7 - Mass of the door: over 200 kg  
4<sup>th</sup> Character - grade B - Suitable for use on fire/smoke doors  
5<sup>th</sup> Character - grade 1 - Safety, suitable for evacuation routes  
6<sup>th</sup> Character - grade 3 - Highly resistant to corrosion 96h  
7<sup>th</sup> Character - grade 2 - Safety of goods: 1000N  
8<sup>th</sup> Character - grade 2 - Projection of the bar up to 150 mm  
9<sup>th</sup> Character - grade B - Activation type with touch-bar  
10<sup>th</sup> Character - grade A - Suitable for one- or two-leaf doors

*Year application trademark* 07



*N° and year of the regulation* EN 1125:2008

*Certification authority* 0425

*N° of CE certificate* 1308-CPD-2007

*Classification* 3 7 7 B 1 3 2 2 B A

Suitable for the passive (secondary) leaf of two-leaf door sets up to 1350 x 2880 mm/leaf in size, with a mass of up to 300 kg/leaf, mounted on hinges or pivots, with fire resistance up to EI<sup>120</sup> - REI<sup>120</sup> and smoke proof. Version AR for leaf widths of 350 - 500 mm. Projection of the bar: 75 mm.

#### SYMBOLS EMPLOYED



#### CAUTION

Indicates a danger that threatens people and/or material goods. Failure to observe the warnings indicated by this symbol may have serious consequences, such as personal injury and property damage.



#### ATTENTION

Indicates a danger that threatens material goods. Failure to observe the warnings indicated by this symbol may result in damage to material goods.



#### NOTICE

Warnings related to important technical aspects.

#### RECOMMENDATIONS

For the panic exit device to ensure high levels of personal safety and appropriate safety levels for material goods, it should only be mounted on doors and doorframes that are in good condition. The door itself, therefore, should be checked to ensure that it was installed properly and that nothing obstructs its normal movement.

If door gaskets have been mounted on the door, make sure they do not inhibit proper functioning of the panic exit device.



It is essential to check that each leaf opens when its respective panic exit device is activated, and that both leaves open freely when the bars are activated simultaneously.

The fastening instructions in the present document should be followed scrupulously during installation. Once installation is complete, the installer must give this document to the owner of the activity.

The bar should be installed in a way that maximizes its useable length.

For securing the door in the closed position, do not employ any latching devices other than those specified in the present document. This does not preclude the installation of automatic closing devices.

The SLASH panic bar is also suitable for installation on metal doors with an internal honeycomb structure.

If a 'door closer' is needed to return the door to the closed position, care should be taken not to make the opening step more difficult for children, the elderly and the disabled.

A pictogram (arrow) should be positioned immediately above the activation bar on the internal side of the door.



All of the included components described herein must be positioned and mounted in conformity with the present document.

#### PRODUCT DESCRIPTION

Panic bar for the passive (secondary) leaf of double door sets located at emergency exits and activated by a touch bar. Composed of galvanized steel controls, black-colored nylon casing, aluminum activation bar, panic safety lock, vertical rods, upper device, upper counterstrike, floor-mounted bushing.

This product does not contain or release any hazardous materials, as per UNI EN regulation 1125 appendix ZA.

#### OPERATION

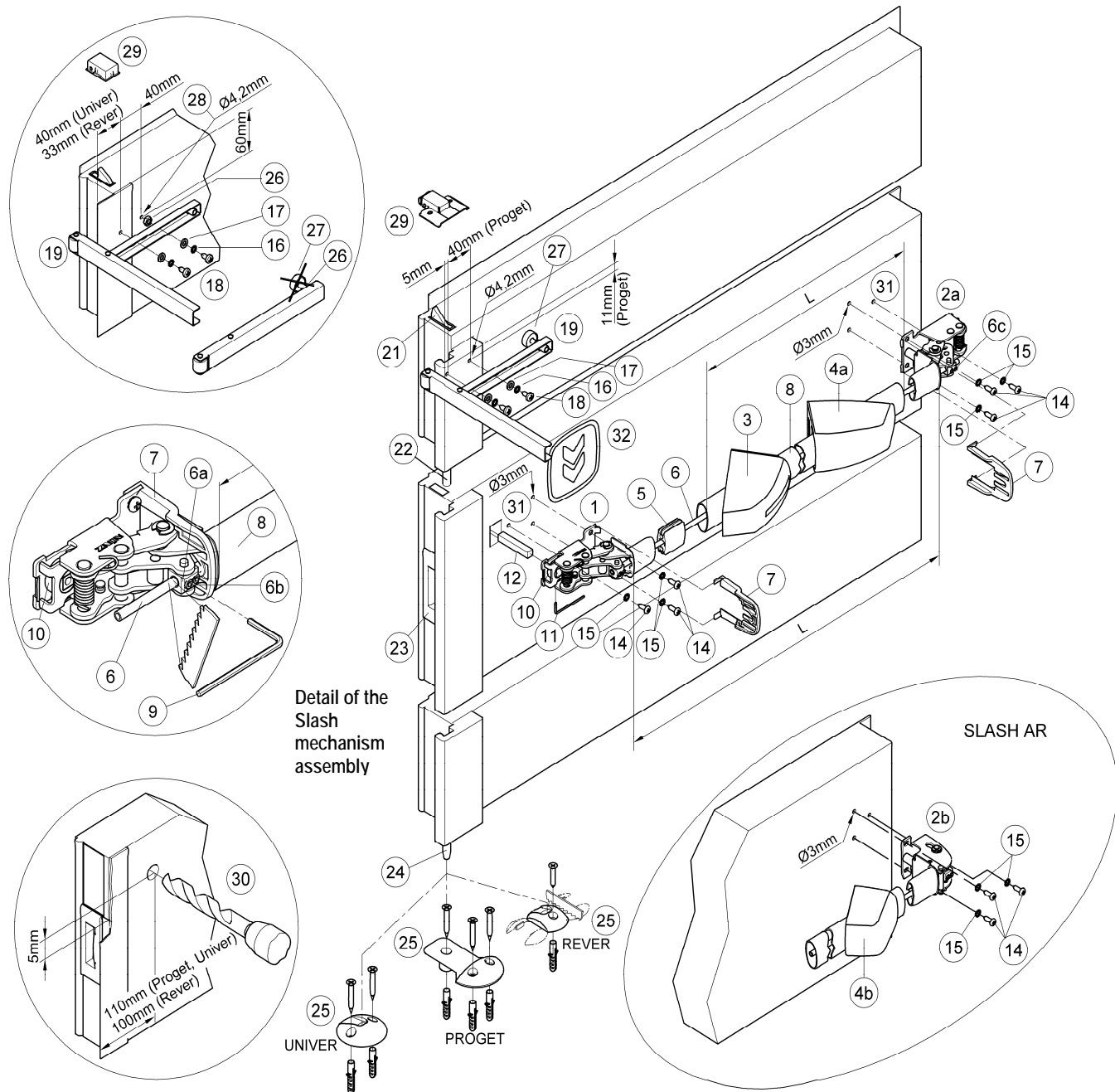
The SLASH A and AR exit devices do not include external opening controls because they are always used in combination with a second SLASH device on the active (principal) leaf.

From the push side, opening is possible at any time by pushing on the horizontal bar, which causes the vertical rods to retract and pulls back the latch bolt of active leaf's latch mechanism to unlatch both doors.

#### WARNINGS


SLASH panic exit devices activated by horizontal push bars are intended for use on doors with lock mechanisms at emergency exits in areas where panic situations could develop.

The safety features of this product are of fundamental importance to ensure its conformity with EN 1125. It is strictly forbidden to introduce any type of modifications apart from those described in the instructions below.



### CONTENTS OF THE SLASH A or AR BAR PACKAGE

Position	pz	Description	Position	pz	Description
1, 2a or 2b	01	Slash or Slash AR mechanism assembly	16	02	Washer
3, 4a or 4b	01	Slash or Slash AR casing package	17	02	Toothed washer
5	01	Pulling guide	18	02	Self-tapping screws with cylindrical heads, 5.5x13 mm
6	01	Connection tube	19	01	Companion link-arm (for Multipurpose doors by request only - idem pos. 16, 17, 18)
7	02	Protections	25	01	Proget bushing (counterstrike) and 3 fasteners
8	01	Aluminum bar	25	01	Univer bushing (counterstrike) and 2 fasteners
9	01	S3 Hex wrench	25	01	Rever bushing (counterstrike) and 1 fastener
11	01	S2 Hex wrench	32	01	Adhesive pictogram (green arrow)
12	01	Square pivot 9x9x52 mm	-	01	A034 hole-drilling template
14	06	Self-tapping screws with cylindrical heads, 4.8x16mm	-	01	SLASH A exit bar installation instructions
15	06	M5 toothed washer			

 Please note that article 4 of the MD of 03 November 2004 obliges the Installer to write up, sign and provide the owner of the activity with a declaration of proper installation that makes explicit reference to the instructions supplied by the exit device manufacturer.

N.B. The door is provided with the safety lock (23), rods (22, 24), upper relatch device (21) and upper counterstrike (29) already installed.

#### TOOLS REQUIRED

Medium-sized Philips-head screwdriver or electric screwdriver, electric drill and Ø 3, Ø 2, Ø 4.2 and Ø 20 mm drill bits for steel, hack-saw for aluminum.

## IMPORTANT

- Installation should be carried out by qualified personnel only and in strict conformity with the instructions supplied below.
- Proper installation incorporates all supplied components, including the toothed washers.



- No variations are allowed, and only components indicated in the package contents may be used.
- Given its function, the SLASH A panic exit device should only be mounted on the push side of the door of the passive leaf and always be combined with the panic exit device of the active leaf.
- Prior to assembly, check all of the package contents.
- Check whether the panic safety lock on the passive leaf was applied in the right direction.
- The only installation configurations that may be used are described in the outline on pages 2-4.
- Ensure that the main leaf is also equipped with the SLASH panic exit device.

## INSTALLATION

- If not already installed, apply the floor-mounted bushing (25) by attaching it with the appropriate screws and fasteners according to the door installation instructions.

- If no hole has been provided for passage of the follower, drill the hole in the metal panel from the push side of the door using the Ø 20 mm drill bit, positioning it as indicated in the drawing (30).

- Level the template and use it to drill the holes (31) with the Ø 3 mm drill bit. If holes are already present, drill them again for the internal reinforcement.



- Proceed with assembly of the exit bar. Insert the follower (12) on the cam (10) of the control mechanism (1) so that it protrudes 38mm, fastening it in this position with the S2 hex wrench (11).

- Position the mechanism (1) on the latch mechanism side (push-side of the door) with the tooth of the cam turned downwards, making sure the follower is centered correctly. Fasten it with the 3 4.8 x 16 screws (14) and their toothed washers (15).

- Fasten the exit bar mechanism (2a) or (2b) at the hinge end using self-tapping screws 4.8x16mm (14) and their toothed washers (15).

- Make a precise "L" measurement and cut the aluminum bar (8), eliminate any burrs from the cut edge and insert the pulling guide (5) in the center of the bar (8).

- Disassemble the mechanism (2a or 2b) in order to insert the stainless steel bar in the mechanism on the lock mechanism (1) side; then insert the little aluminum tube (6) so it passes through the little block (6a).

- Put the nylon casings on the bar, first the one with the label (3) and then the one without (4a) or (4b). Join the bar with the mechanism at the hinge end (2a or 2b), inserting the little aluminum tube before re-fastening the mechanism to the door.

- Temporarily fasten the little tube with the two pins (6c) of the mechanism at the hinge end so that they do not protrude from the block; use the S3 hex wrench (9) for this operation.

- Maintaining pressure on the bar, without using force fasten the two pins (6b) that block the connection tube on the mechanism side of the latch mechanism; then verify that pushing on the hinge-end extremity of the bar makes the counter-latchbolt exit fully and the upper relatch device (21) and lower rod (24) retreat fully; if this is the case, screw the 4 pins (6b and 6c) in until they no longer protrude from the block. Otherwise, loosen the pins and repeat the operation, making sure that the connection tube is kept under tension; lastly, cut off the protruding piece of the little tube.

- Mount the protections (7) in the designated guides of both mechanisms (for AR, only on the latch mechanism side).

- Slide the casings (3 and 4a or 4b) down over the relative mechanisms while ensuring that the protections (7) remain inserted in their correct position. Apply light pressure to the aluminum bar to attach the casings, latching the wide side before the narrow side.



- Activate the SLASH A exit device at any point along the horizontal bar and check for the complete exit of the counter-latchbolt and full retraction of the upper relatch device (21) and lower rod (24). Test the system with the doors open and closed. For fire doors, verify that the self-closing sequence of the two leaves functions properly.

- Apply the companion link arm (19) as shown in the drawing, fastening it with two self-tapping screws 5.5x13 mm (18) and their washers (16 and 17).

- For PROGET doors, the holes for the link arm are already provided, simply regulate the rubber spacer (27) so that it rests properly on the leaf.

- For UNIVER and REVER doors, alternatively, drill 2 holes (28) with the Ø 4.2 mm drill bit 60 mm away from the upper rabbet of the leaf and 40 mm apart. For UNIVER doors, the first hole should be made 40 mm from the lateral edge of the centerpost, while for Rever doors the distance is 33 mm.

- For UNIVER and REVER doors, unscrew the rubber spacer (27) and keep the nut (26), which will serve as a spacer for attaching the link arm through the third slot.

- Adjust the position of the companion link arm so that it acts on the exit bar of the passive leaf. The active leaf is pushed just enough to ensure the correct closing sequence for the two leaves (active leaf held in waiting position by the closing regulator).

- Apply the pictogram (32) with the green arrow on the internal surface of the door, just above the activation bar.



- Lastly, use a dynamometer to measure how much force needs to be applied to the horizontal bar of the SLASH A exit device in order to unlatch the passive door from the latch bolt of the latch mechanism and the upper and lower latches. Record this force measurement in the present document.

## USE

- Ensure that the door always opens easily.
- Avoid unnecessary strains on or handling of the exit bar.
- Protect the exit bar from external atmospheric agents.
- Ensure that nothing obstructs free movement of the exit bar.
- Do not paint the safety lock or the upper or lower latch devices.
- Use the bar properly, do not pull it in the wrong direction.



- Ensure that any damaged or malfunctioning parts are replaced immediately.

## MAINTENANCE

To ensure that door usage conforms with regulations, the following maintenance checks should be carried out at least once a month:

- Verify that all of the installed components correspond with those listed in the present instructions, and that no latching devices other than those originally installed have been added to the door.

- Inspect and activate the panic exit device to verify that all of its components are in satisfactory operational condition.

- Use a dynamometer to confirm that the release force shows no significant differences from the forces recorded at the time of installation.



- Check whether all screws are fully tightened, tightening any that may have loosened.

- Activate the panic exit device by pushing it all the way down at any point along the horizontal bar in order to verify that the counter-latchbolt of the latch mechanism comes completely out, and that the upper relatch device (21) and the lower rod (23) retract all the way. Test the system with the doors open and closed.

- Check whether the counter-latchbolt fully re-inserts upon release of the exit bar, and that the upper device and lower rod come completely out.

- Nel caso di porte tagliafuoco, aprire le due ante agendo sul maniglione dell'anta secondaria, così di controllare la corretta sequenza di chiusura delle due ante.

- Check the aluminum bar and replace it if any damage or deformities are detected.



- Ensure that the upper and floor-mounted counterstrikes are not blocked; if so, remove the obstruction.

- The product requires no special maintenance. Grease spray should be used to lubricate the upper relatch device, the lower rod guide, internal workings of the safety lock and the exit bar on a regular basis - the latter has a hole on the underside of its casing for this purpose.




- Use mild detergents for normal cleaning.



- Any adjustments that become necessary must be carried out by qualified personnel using original NINZ replacement parts.



- The owner of the activity is responsible for keeping the declaration of correct installation on file, conducting proper exit bar maintenance in accordance with all of the manufacturer's maintenance guidelines, keeping maintenance and check-up records and preserving the present document.

 <b>ATTESTATO DI CONFORMITÀ</b> DIRETTIVA 89/106/CEE <b>CERTIFICATE OF CONFORMITY</b> DIRECTIVE 89/106/CEE		 0425
<small>Questo certificato è rilasciato in conformità a quanto prescritto dall'Art.6 par.2 lettera b) del DPR 21 aprile 1993, n°246 (Direttiva 89/106/CEE) ed attesta la conformità del prodotto di seguito identificato agli Art.1, Art.2 ed allegato A del DPR 21 aprile 1993, n°246 (Direttiva 89/106/CEE)          This certificate has been issued in conformity to what prescribed by the Art.6 par.2 letter b) of the DPR 21/04/1993, n°246 (Directive 89/106/EC) and certifies the conformity of the product described below to the Art.1, Art.2 and attachment A of DPR 21/04/1993, n°246 (Directive 89/106/EC)</small>		
<b>ATTESTATO N°</b>	<b>1308 - CPD - 2007</b>	<b>CERTIFICATE N°</b>
<b>Organismo notificato</b>		<b>Notified Body</b>
ICIM S.p.A. - Piazza Don Mapelli, 75 - 20099 Sesto San Giovanni (MI) ITALY		Identification number: 0425
<b>Dati Fabbricante</b>		<b>Manufacturer</b>
Sede legale: NINZ S.p.A. Corso Trento, 2/A 38061 ALA (TN) ITALY		Head office
Unità operativa		Operative unit
<b>Dati prodotto</b>		<b>Product</b>
Tipologia: <b>DISPOSITIVI ANTIPANICO PER USCITE DI SICUREZZA AZIONATI MEDIANTE UNA BARRA ORIZZONTALE</b> <b>PANIC EXIT DEVICES</b>		Type
Denominazione	Dispositivo antipanico	Modelli "SLASH", "SLASH AR", "SLASH ALU", "SLASH ALU AR", "SLASH INOX", "SLASH INOX AR"
	Serratura antipanico	art. AP16/18, SCA 1 3201001.019020, MAC 1 3201001.041042, 3201001.018, 485-85-0.
	Controserratura antipanico	art. AP020P, AP020U, 3201001.6, 43190-95.
	Dispositivo superiore	art. 3105080, 3105024, 3305003.
	Riscontro asta	art. 2401036, 2401046, 2401044, 2401002.
	Boccola pavimento	art. 2401001, 2401007, 3105091, 2401020, 4419008.
	Deviatori	art. 4201010.
	Aste verticali	art. 3305015, 3305016, 3305002, 3305013, 990837.
	Riscontro serratura	art. 2401006, 2401005, 2401015, 2401014, 2401005, 2401035, 3412001.
	Comandi esterni	art. BM, BSP, BS, BMC, BC, B, A, BM inox, BM alu, BSP inox, BSP alu.
Sistema di attestazione della conformità		1
Norma di riferimento		EN1125:2008
Classificazione		3   7   7   B   1   3   2   2   B   A
<b>Eventuali estensioni</b>		<b>Extensions</b>
Nessuna / None		
<b>Eventuali condizioni di subordinazione della Certificazione CE</b>		<b>Possible conditions of subordination of the CE Certification</b>
Nessuna / None		
<small>Il presente attestato è valido esclusivamente per il prodotto indicato. Eventuali varianti da apportare devono essere approvate da ICIM SpA          The present issue is valid only for the product described above. Possible changes to be brought in have to be approved by ICIM S.p.A.</small>		
<b>Data di emissione</b> First issue	<b>Emissione corrente</b> Current issue	<b>Data di scadenza</b> Expiring date
31/05/2007	04/08/2010	30/05/2017
 ICIM S.p.A. Il Presidente Ing. Tullio Badino		

**REPLACEMENT PARTS (see expanded drawing, pages 2-4)**

Position	Code	Description
1, 2a, 3, 4a, 5, 7, 32	3102002	Slash Base
1, 2b, 3, 4b, 5, 7, 32	3102003	Reduced Slash AR Base
1, 2a	3105119	Slash mechanism assembly
1, 2b	3105120	Reduced Slash AR mechanism assembly
3, 4a	3105171	Slash casing package
3, 4b	3105172	Reduced Slash AR casing package
5, 7	3105130	Pulling guide + protections package
6, 8	4204010	Anodized or painted aluminum bar package
9, 11, 12, 14, 15, 25	4211102.041	Slash Proget A package
9, 11, 12, 14, 15, 25	4211102.042	Slash Univer A package
9, 11, 12, 14, 15, 25	4211102.043	Slash Rever A package
23	3201001.024	AP020P Panic safety lock for Proget and Univer fire doors
23	3201001.008	AP020U Panic safety lock for Rever and Univer multipurpose doors
21	3105080	Proget relatch device
21	3105024	Univer and Rever relatch device
22	3305015	Proget, Univer and Rever upper rod
24	3305016	Proget lower rod
24	3305002	Univer and Rever lower rod
29	2401046	Proget upper counterstrike
29	2401044	Univer and Rever upper counterstrike
16, 17, 18, 19	3305001	Companion link arm with washers and screws



**ANY REPLACEMENTS MUST USE ORIGINAL NINZ REPLACEMENT PARTS FROM ITS FULL CERTIFIED SYSTEM!**

**Certified SLASH A components**

- Panic exit device series: "SLASH A"
- Panic safety lock devices: art. AP020P, AP020U
- Upper device: art. 3105080, 3105024
- Rod counterstrike: art. 2401036, 2401046, 2401044
- Floor-mounted bushing: art. 2401001, 2401007, 3105091
- Vertical rods: art. 3305015, 3305016, 3305002
- Safety lock controls: art. A e AR

**PROPER DISASSEMBLY**

When some or all of the bar needs to be replaced, the general approach is to reverse the order of the original installation instructions. Replacement of rods and/or the upper device first requires that the safety lock be disassembled. Replacement of the safety lock first requires that all parts of the exit bar in the latch mechanism zone be disassembled. The safety lock (23) can be disassembled by unscrewing the 2 frontal screws after first removing the heat-expanding seal that is glued over the fastener screws (only for fire doors).



The operation should be carried out with great care, making sure not to ruin or displace any of the components inside the safety lock housing and re-attaching the rods with particular care.

MAINTENANCE RECORD			
Date	Description of intervention	Release force checked	Operator



These instructions should be given to the owner of the activity, who must preserve them as a record of the maintenance operations carried out on the panic exit device.