



NINZ S.p.A. - corso Trento, 2/A
I-38061 ALA (TN) / ITALY www.ninz.it
Tel. + 39 0 464 678300
Fax. +39 0 464 679025 info@ninz.it

EXUS LX BM
PANIC EXIT DEVICE
for emergency exits

A076-GB
5001173/2 - 12/14



Denomination	EXUS LA PANIC EXIT DEVICE
Name and address of the producer	NINZ S.p.A. - corso Trento 2/A I-38061 ALA (TN) - ITALY
Year application trademark	2007
Standard	EN 1125:2008
Certification authority nr.	0425
CE certification number	0425 CPD 1228
Classification	3 7 7 B 1 3 2 1 AA

Commercial codes
EXUS LX BM item 4201101.029
EXUS LX DC BM item 4201101.035

Classification nr.
1st Character - grade 3 - Category of use: high frequency
2nd Character - grade 7 - Durability: 200.000 cycles
3rd Character - grade 7 - Mass of the door: over 200kg
4th Character - grade B - Suitable for use on fire/smoke rated doors
5th Character - grade 1 - Safety: suitable for emergency exits
6th Character - grade 3 - Highly resistant to corrosion 96h
7th Character - grade 2 - Safety of goods: 1000N
8th Character - grade 1 - Protrusion of the exit bar: up to 150mm
9th Character - grade A - Activation type: push bar
10th Character - grade A - Suitable for 1 or 2 leaved door

Suitable for doors with one leaf or for the active leaf (primary) of two-leaved doors up to 1350x2880mm/leaf in size, a mass of up to 300kg/leaf, mounted on hinges or pivots, fire resistant up to EI²120 – REI120 and smoke proof. Protrusion of the exit bar: 125mm.

SYMBOLS EMPLOYED

- CAUTION**
Indicates a danger that threatens people and/or material goods. Failure to observe the warnings indicated by this symbol may have serious consequences, such as personal injury and property damage.
- ATTENTION**
Indicates a danger that threatens material goods. Failure to observe the warnings indicated by this symbol may result in damage to material goods.
- NOTICE**
Warnings related to important technical aspects.

PRODUCT DESCRIPTION

Panic bar for one-leaved doors or for the active leaf of two-leaved doors located at emergency exits and activated by push-bars. Composed of stainless steel controls, casing, lever, horizontal bar, external lever handle with galvanized steel installation plate and nickel-plated brass cylinder with three keys. This product does not contain or release any hazardous materials, as per UNI EN standard nr. 1125 appendix ZA.

OPERATION MODE

While locked by key, the door cannot be opened from the pull side (handle side), while it can always be opened from the push side by using the horizontal bar of the EXUS LX BM panic exit device.

WARNINGS

The EXUS panic bar activated by means of a horizontal bar is intended for use onto doors installed in escape routes where panic situations could develop. The safety features of this product are of fundamental importance to ensure its conformity with EN 1125. It is strictly forbidden to introduce any type of modifications apart from those described in these installation instructions.

RECOMMENDATIONS

In order to ensure that the panic bar could provide a high level of safety toward people and appropriate safety level toward goods, it should only be mounted onto doors and doorframes that are in good conditions. The door itself, therefore, should be checked to ensure that it was installed properly and that nothing obstructs its normal movement.

If door rebate sealing have been mounted on the door, make sure they do not inhibit proper functioning of the panic bar.

In case of two-leaved door where both leaves are equipped with panic bar, it is mandatory to check that each leaf opens when its respective panic bar is activated, and that leaves open freely when the bars are activated simultaneously.

The fastening instructions in the present document should be followed scrupulously during installation. Once installation is complete, the installer should give this document to the owner of the activity.

The horizontal bar should be installed in a way that maximizes its useable length.

For securing the door in the closed position, do not employ any other latching devices than those specified in the present document. This does not preclude the installation of automatic closing devices.

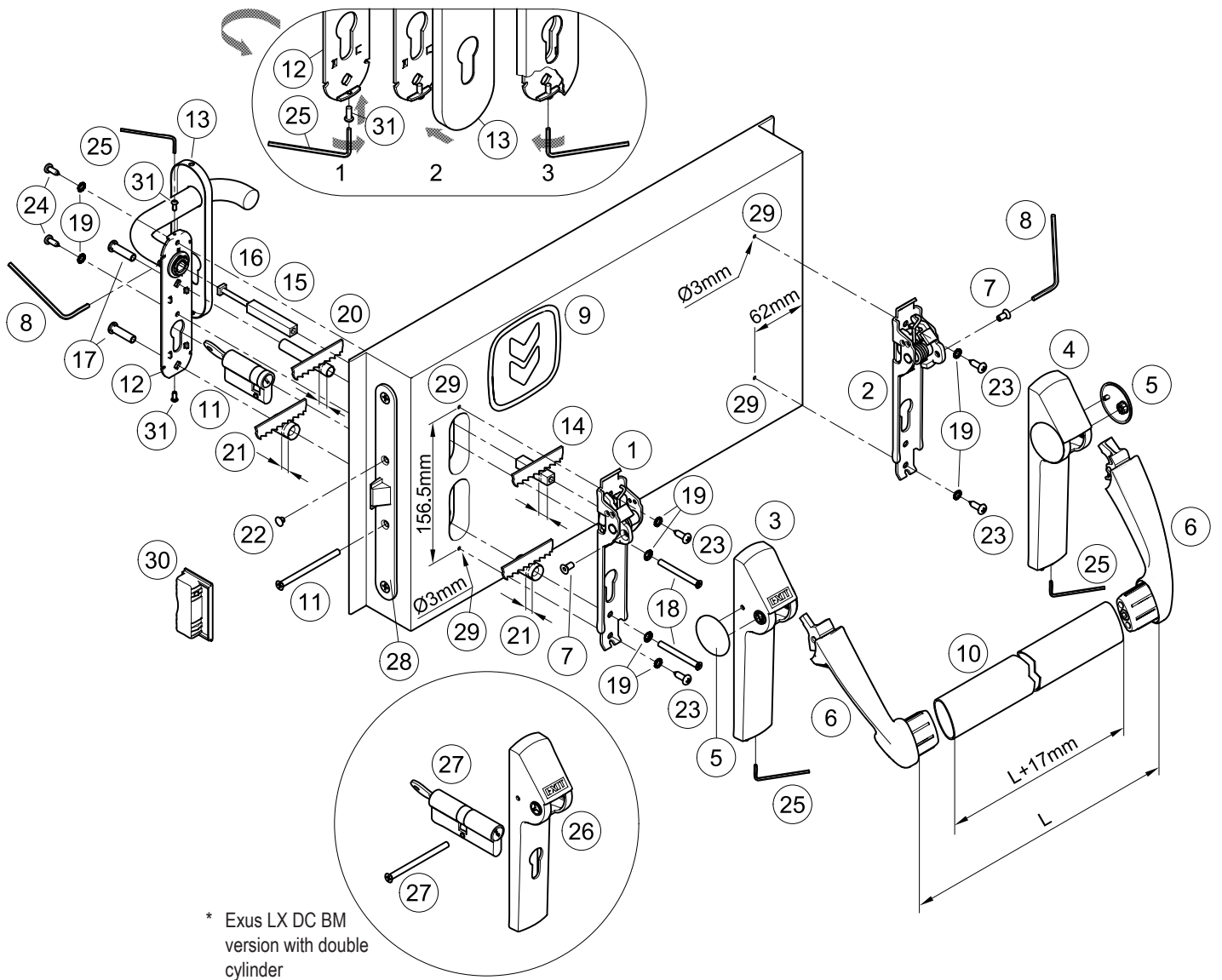
Different external access devices than those found on the list of certified components on pages 4/4 are considered unacceptable.

The EXUS panic bar is also designed for installation on hollow metal doors with an internal cell structure.

If a door closer is needed to return the door to the closed position, care should be taken not to make the opening step more difficult for children, the elderly and the disabled.

A pictogram (arrow) should be positioned immediately above the horizontal bar on the internal side of the door.

All of the included components described herein must be positioned and mounted in conformity with the present document.



CONTENTS OF THE EXUS LX BM PANIC BAR PACKAGE

position	pcs.	description	position	pcs.	description
1, 2	01	Exus LX mechanism assembly in stainless steel	18	02	M5 countersunk pan head screw
3, 4, 5	01	Exus LX carter set with plugs	19	08	Toothed washer
6	01	Exus LX set carrier arms	20	01	Ø10,3x60,6mm spacer
7	02	M5x10mm hex socket countersunk screw	21	02	Ø15,0x23,5mm spacer
8	01	S3 hex key	22	01	Black cap hole Ø8,8mm
9	01	Adhesive pictogram (green arrow)	23	04	Pan head self tapping screw Ø4,8x16mm
10	01	Horizontal bar in stainless steel	24	02	Pan head self tapping screw Ø4,2x13mm
11	01	Standard nickel-plated half cylinder with three keys and fastening screw	25	01	S2 hex key
12	01	Stainless steel handle with galvanized steel installation plate and fastening socket set screw	26 *	01	Exus LX DC carter set
13	01	Stainless steel cover plate	27 *	01	Double nickel-plated cylinder with three keys and fastening screw
14, 15	01	Square spindle 9x9x(55+40)mm	31	02	M3x8mm pan head screw
16	01	M5 screw for threaded square spindle	-	01	A034 hole-drilling template
17	02	M5 threaded insert	-	01	Exus LX BM panic bar set installation instruction

Please note that article 4 of the MD of 03 November 2004 obliges the installer to write up, sign and provide the owner of the activity with a declaration of proper installation that makes explicit reference to the instructions supplied by the exit device manufacturer.

- The panic lock (28) and the respective strike box (counterstrike) (30) are delivered already mounted on the door!

TOOLS REQUIRED

Medium-sized Phillips-head screwdriver or electric screwdriver, electric drill with Ø2 and Ø3mm drill bit for steel, fine-toothed hack-saw and hack-saw for stainless steel.

IMPORTANT

- Installation should be carried out by qualified personnel only and in strict conformity with the instructions supplied.
- For a correct installation all supplied components must be used, including spacers and toothed washers.



- No variations are allowed, and only components indicated in the package contents may be used.
- Given its purpose, the Exus LX BM panic bar should be mounted on the push-side of the door.
- Before proceeding with installation, check the package contents to ensure that no pieces are missing, keeping in mind that only the Exus LX DC BM panic bar includes a double cylinder.
- Check if the door is equipped with the panic safe lock.
- Check the type of lever handle to apply and follow the specific instructions.
- Any different installation configuration from that illustrated on pag. 2/4 is not allowed.

INSTALLATION

- Insert the cylinder (11 or 27) and fasten it temporarily with the screw (11 or 27), then remove the key.
- Adjust the plastic spacers (20 and 21) to the thickness of the leaf so that they do not protrude from its surface.
- Adjust the threaded square spindle (14) to the thickness of the leaf so that it protrudes 11±1mm from the door surface; be careful to cut the bevelled side.
- Insert the square spindles (14 and 15) into the lock for connecting them by tightening the respective screw (16).
- Screw onto installation plate of handle (12) the screws (31), just enough to insert the cover plate (13).
- Insert the two threaded inserts (17) in the installation plate of the handle (12), making sure it is well-centred.
- Insert the two spacers (20 and 21) over the threaded inserts and apply the handle on the pull-side of the door, being careful to center the square spindle and the inserts over their respective holes.
- Apply the operating mechanism (1) to the lock side (push-side of the door) after inserting the screws (18), toothed washers (19) and spacer (21). Center the square spindle, screws and cylinder (the latter for the Exus LX DC version only), starting the screws by hand before fastening them with the screwdriver.
- Use the template to drill the holes (29) with the Ø3mm drill bit, checking the level. If holes are already present, drill them again for the internal reinforcement.
- Fasten the mechanism (1) even more securely with the self-tapping screws Ø4,8x16mm (23) and their toothed washers (19).
- Fasten the mechanism (2) of the panic bar at hinged side, using the self-tapping screws Ø4,8x16mm (23) and their toothed washers (19).
- Remove the externally-facing plugs (5) from both carter (3 or 26 and 4). To do this, insert a finger inside the carter and push the plug out, being careful not to remove the plastic insert. Apply the carter with "EXIT" wording (3 or 26) on the operating mechanism (1) and the other one (4) on the mechanism from hinged side (2). Do not fasten the socked set screws, so as to let the two carter movable.
- Apply the carrier arms (6) and fasten them with the dedicated screws (7), tightening them securely with the included S3 wrench (8).
- Make a precise "L" measurement, cut the stainless steel bar (10) adding 17mm, and remove the burrs from the cut edge. Remove one carrier arm, attach the bar and re-fasten the entire assembly.
- Finish fastening of the two carter (3 or 26 and 4), screw on without overtighten the socked set screw, using the S2 hex key (25), then apply the plugs (5).
- Finish fastening the cylinder (11 or 27), insert the little cap hole (22) in the open hole of the panic safe lock (28).



- Push the Exus LX BM panic bar at any point along the horizontal bar, checking to ensure that the latch bolt of the central safe lock opens easily and fully. Use the same method to check the external handle and also the key. Test the door in both open and closed positions and if necessary, file down the plastic strike box (30) of one-leaved doors, or the panic safe lock for inactive leaf of two-leaved doors. In case of Proget door with three-point locking mechanism, the latch bolts of lock-levers and/or their strike box have to be considered too.

- Fasten the installation plate of handle (12) using the Ø4,2x13mm self-tapping screws (24) and their toothed washers (19) after drilling holes in the metal panel with the Ø2mm drill bit. Insert the cover (13) onto the handle (drw. 2). Using the S2 hex key (25) to unscrew the screws (31) until the cover become fixed, avoiding any deformations (drw. 3). Insert and fasten the socket set screw well with the S3 hex key (8).

- Apply the pictogram (9) with the green arrow on the internal surface of the door, just above the horizontal bar.



- Lastly, use a dynamometer to measure the force required on the horizontal bar to release the lock. Record this force measurement in the present document.

USE

- Ensure that the door always opens easily.
- Avoid unnecessary strains on or handling onto handle and exit bar.
- Protect the panic bar from external atmospheric agents.
- Avoid anything that could hamper the free movement of the bar.
- Do not paint the lock and any lock-lever.
- Use the bar properly, do not pull it in the wrong direction.
- Do not leave the key in the lock.



- Make sure that any damaged or malfunctioning parts are replaced immediately.

MAINTENANCE

To ensure that door usage conforms with regulations, the following maintenance checks should be carried out at least once a month:

- Confirm that all of the installed components correspond with those listed in the present instructions and that no other latching devices than those originally installed have been added to the door.
- Inspect and activate the panic bar to verify that all of its components are in satisfactory operational condition.
- Use a dynamometer to confirm that the release force shows no significant differences from the forces recorded at the time of installation.



- Check whether all screws are fully tightened, tightening any that may have loosened.

- Check whether panic bar, handle and key can be moved with minimal effort, and that the latch bolt of the central safe lock retreats from the strike box without offering resistance. If the door has become difficult to open due to friction, the resistance can be reduced by filing the strike box down to the appropriate height. In case of Proget door with three-point locking mechanism, the latch bolts of lock-levers and/or their strike box have to be considered too.
- Activate the Exus LX BM panic bar at both ends of the horizontal bar, checking to ensure full retraction of the latch bolt of the central safe lock and of any lock-levers in both cases.

- Ensure that the latch bolt of the central safe lock and of any lock-levers exits completely when the horizontal bar is released.

- Check the horizontal bar and replace it if any damage or deformities are detected.



- Check whether the inserts and strike boxes are blocked in any way and eliminate any obstructions.

- This product requires no special maintenance. Grease spray should be used to lubricate the internal workings of lock, lock-levers (for Proget door with three-point lock mechanism only), handle and panic bar on a regular basis – the latter has a hole on its carter for this purpose, located below the carrier arms.

- For normal cleaning, use a cleaning agent designed specifically for stainless steel.



- Any adjustments that become necessary must be carried out by qualified personnel using original NINZ replacement parts.



- The owner of the activity is responsible for keeping the declaration of correct installation on file, conducting proper panic bar maintenance in accordance with all of the manufacturer's maintenance guidelines, keeping maintenance and check-up records and preserving the present document.

ATTESTATO DI CONFORMITÀ
DIRETTIVA 89/106/CEE
CERTIFICATE OF CONFORMITY
DIRETTIVA 89/106/CEE

ICIM **CE**
0425

Questo certificato è rilasciato in conformità a quanto prescritto dall'Art.6 par.2 lettera b) del DPR 21 aprile 1993, n°246 (Direttiva 89/106/CEE) ed attesta la conformità del prodotto di seguito identificato agli Art.1, Art.2 ed allegato A del DPR 21 aprile 1993, n°246 (Direttiva 89/106/CEE).
This certificate has been issued in conformity to what prescribed by the Art.6 par.2 letter b) of the DPR 21/04/1993, n°246 (Directive 89/106/CEE) and certifies the conformity of the product described below to the Art.1, Art.2 and attachment A of DPR 21/04/1993, n°246 (Directive 89/106/CEE)

ATTESTATO N°	0425 CPD 1228	CERTIFICATE N°
Organismo notificato	Notified Body	
ICIM S.p.A. - Piazza Don Mapelli, 75 - 20099 Sesto San Giovanni (MI) ITALY	Identification number: 0425	
Dati Fabbricante	Manufacturer	
Sede legale Unità operativa	Head office Operative unit	
NINZ S.p.A. Corso Trento, 2/A - 38061 ALA (TN) ITALY		
Dati prodotto	Product	
Tipologia	Type	
DISPOSITIVI ANTIPANICO PER USCITE DI SICUREZZA AZIONATI MEDIANTE UNA BARRA ORIZZONTALE		
PANIC EXIT DEVICES		
Denominazione	Denomination	
Dispositivo antipanico	serie "TWIST" "EXUS LP" "EXUS LA" "EXUS LX"	
Serrature antipanico	art. AP16/18, SCA 1 3201001.019/020, MAC 1 3201001.041/042, 4506002.17 (V), 3201001.018, 485-65-0, 4506002.22 (V), B18310-02-RL-8 (V), B18370-04-U-8 (V)	
Controserrature antipanico	art. AP020P, AP020U, 4506003 (V), 3201001.6, 43190-95, B1890.1004 (V)	
Dispositivo superiore	art. 3105080, 3105024, 4506003 (V), 3305003, B1795.0001 (V), B1895.0003 (V)	
Riscontro asta	art. 2401036, 2401046, 2401044, 4506005 (V), 2401002, B9000.0567 (V), B9000.0490 (V)	
Boccola pavimento	art. 2401001, 2401007, 3105091, 4509006 (V), 2401020, 4419008, B9028.0001 (V)	
Deviatori	art. 4201010	
Aste verticali	art. 3305015, 3305016, 3305002, 4509003 (V), 3305013, 990637, B9006.0014 (V), B9006.0006 (V)	
Riscontro serratura	art. 2401006, 2401005, 2401015, 2401014, 4506006 (V), 2401006, 2401035, 3412001, B9000.0402 (V)	
Comandi esterni	art. BM, BSP, BS, BMC, BC, B, A, BM inox, BM alu, BSP inox, BSP alu.	
Sistema di attestazione della conformità	1	
Norma di riferimento	EN1125:2008	
Classificazione	3 7 7 B 1 3 2 1 A A	
Eventuali estensioni	Extensions	
Nessuna / None		
Eventuali condizioni di subordinazione della Certificazione CE	Possible conditions of subordination of the CE Certification	
Nessuna / None		

Il presente attestato è valido esclusivamente per il prodotto indicato. Eventuali varianti da apportare devono essere approvate da ICIM SpA.
The present issue is valid only for the product described above. Possible changes to have to be approved by ICIM S.p.A.

Data di emissione First issue	Emissione corrente Current issue	Data di scadenza Expiring date
18/04/2007	26/06/2013	17/04/2017

ICIM S.p.A.

SPARE PARTS (see exploded drawing at page. 2/4)

position	code	description
1, 2, 3, 4, 5, 6, 7, 9	3102061.001	Exus LX latch case - stainless steel
* 1, 2, 4, 5, 6, 7, 9, 26	3102075.001	Exus LX DC latch case with cylinder hole - stainless steel
1, 2	3105127.001	Exus LX assembly mechanism - stainless steel
3, 4, 5	3105163.001	Exus LX carter set with plugs
* 4, 5, 26	3105164.001	Exus LX DC carter set with plugs
6	3105140.001	Exus LX set carrier arm
7	3105026.001	Twist/Exus bag
10	4204016.001	Stainless steel bar set
8, 12, 13, 14, 15, 16,	4211101.021	Twist/Exus BM set - stainless steel
17, 18, 19, 20, 21,		
22, 23, 24, 25, 31		
11	4202103.001	Standard nickel-plated half cylinder 40/10 for Proget/Univer thick. 60mm
11	4202103.002	35/10 for Univer thickness 50mm
11	4202103.003	30/10 for Rever
		Standard nickel-plated double cylinder
* 27	4202101.004	45/40 for Proget/Univer thick. 60mm
* 27	4202101.001	40/40 for Univer thickness 50mm
* 27	4202101.002	35/35 for Rever
28	3201001.016	Panic safe lock to push (AP 16/18)
30	4212024.001	Set of 10 Proget strike box lock
30	4212025.001	Set of 10 Univer thk60 strike box lock
30	4212026.001	Set of 10 Univer thk50 strike box lock
30	4212027.001	Set of 10 Rever strike box lock



FOR REPLACEMENTS USE ORIGINAL NINZ REPLACEMENT PARTS FROM ITS FULL CERTIFIED SYSTEM ONLY!

PROPER DISASSEMBLY

When some parts or all of the panic bar needs to be replaced, the general guideline is to reverse the order of the original installation instructions. To replace the lock, all parts of the panic bar in the locking device zone must be disassembled, including the external handle. The lock itself (28) can be removed by unscrewing the two frontal screws.



This operation should be carried out with great care in order not to damage or move the components located inside lock housing!

Certified components for EXUS LX BM

- Panic exit device: series "EXUS LX"
- Panic safe lock: item AP 16/18, MAC 1 3201001.041/042, 3201001.018
- Lock strike box: item 2401006, 2401005, 2401015, 2401014
- External control: item BM inox, ELECTRIC HANDLE

MAINTENANCE RECORD			
date	description of the intervention	release force checked	operator

These instructions should be given to the owner of the activity, who must preserve them as a record of the maintenance operations carried out on the panic bar.