

Commercial codes M14X
 emergency handle item 4203101.022

DoP no. **179-M14-01**

Website <https://www.ninz.it/it/download/dop>

Classification **3 7 7 B 1 4 4 2 A C**



Name and address of the producer NINZ S.p.A. - corso Trento 2/A
 I-38061 ALA (TN) - ITALIA

Year application trademark 2010

Standard EN 179:2008

Certification authority no. 0425

CE certification no. 0425-CPR-002148

Classification no.

- 1st Character - grade 3 - Category of use: high frequency
- 2nd Character - grade 7 - Durability: 200.000 cycles
- 3rd Character - grade 7 - Mass of the door: over 200kg
- 4th Character - grade B - Suitable for use on fire/smoke rated doors
- 5th Character - grade 1 - Safety: suitable for emergency exits
- 6th Character - grade 4 - Corrosion resistance: 240 hours (extra high)
- 7th Character - grade 4 - Safety of goods: 3000N
- 8th Character - grade 2 - Protrusion of the device: up to 100mm
- 9th Character - grade A - Activation type: lever handle activation
- 10th Character - grade C - Suitable only for passive leaf of two-leaved doors

Suitable for the passive (last opening) leaf of two-leaved door sets up to 1350x2880mm/leaf in size, with a mass of up to 300 kg/leaf, mounted on hinges or pivots, with fire resistance up to EI₂120 - REI₁20 and smoke proof. Protrusion of the handle: 67mm.

SYMBOLS EMPLOYED



CAUTION

Indicates a danger that threatens people and/or material goods. Failure to observe the warnings indicated by this symbol may have serious consequences, such as personal injury and property damage.



ATTENTION

Indicates a danger that threatens material goods. Failure to observe the warnings indicated by this symbol may result in damage to material goods.



NOTICE

Warnings related to important technical aspects.

PRODUCT DESCRIPTION

Emergency device for inactive leaf of two-leaved doors located at emergency exits and activated by lever handle. Composed of panic safe lock for inactive leaf, one brushed stainless steel lever handle with galvanized steel installation plate and brushed stainless steel cover plate.

This product does not contain or release any hazardous materials, as per UNI EN standard no. 179 appendix ZA.

OPERATION MODE

The M14X emergency device is always used in combination with another emergency or security device applicated at the active leaf and therefore no external control is expected. From push-side opening is possible at any time by using the handle which draws back the vertical rods and at the same time pushes back the latch bolt of the active leaf lock, so that both leaves are free.

WARNINGS

The M14X handle for emergency exit is intended for the installation on doors to used by people that are accustomed to use the controls of the panic devices for escape routes. Therefore their use is suitable when a panic situation is very unlikely.

The safety features of this product are of fundamental importance to ensure its conformity with EN 179. It is strictly forbidden to introduce any type of modifications apart from those described in these installation instructions.

RECOMMENDATIONS

To ensure high level of human safety and appropriate safety levels for material goods, the handle for emergency exit must be installed on doors and doorframes that are in good conditions. The installation of the door itself, therefore, should be checked to ensure that it was installed properly and that nothing obstructs its normal movement.

If rebate sealing are mounted on the door, make sure they do not inhibit proper functioning of the emergency exit device.



It is essential to check that each leaf opens when its respective panic exit device is activated, also when both panic exit devices are activated simultaneously.

The fastening instructions in the present document should be followed scrupulously during installation. Once installation is complete, the installer should give this document to the owner of the activity.

For securing the door in the closed position, do not employ any other latching devices than those specified in the present document. This does not preclude the installation of automatic closing devices.

The M14X emergency device is also designed for installation on hollow metal doors with an internal cell structure.

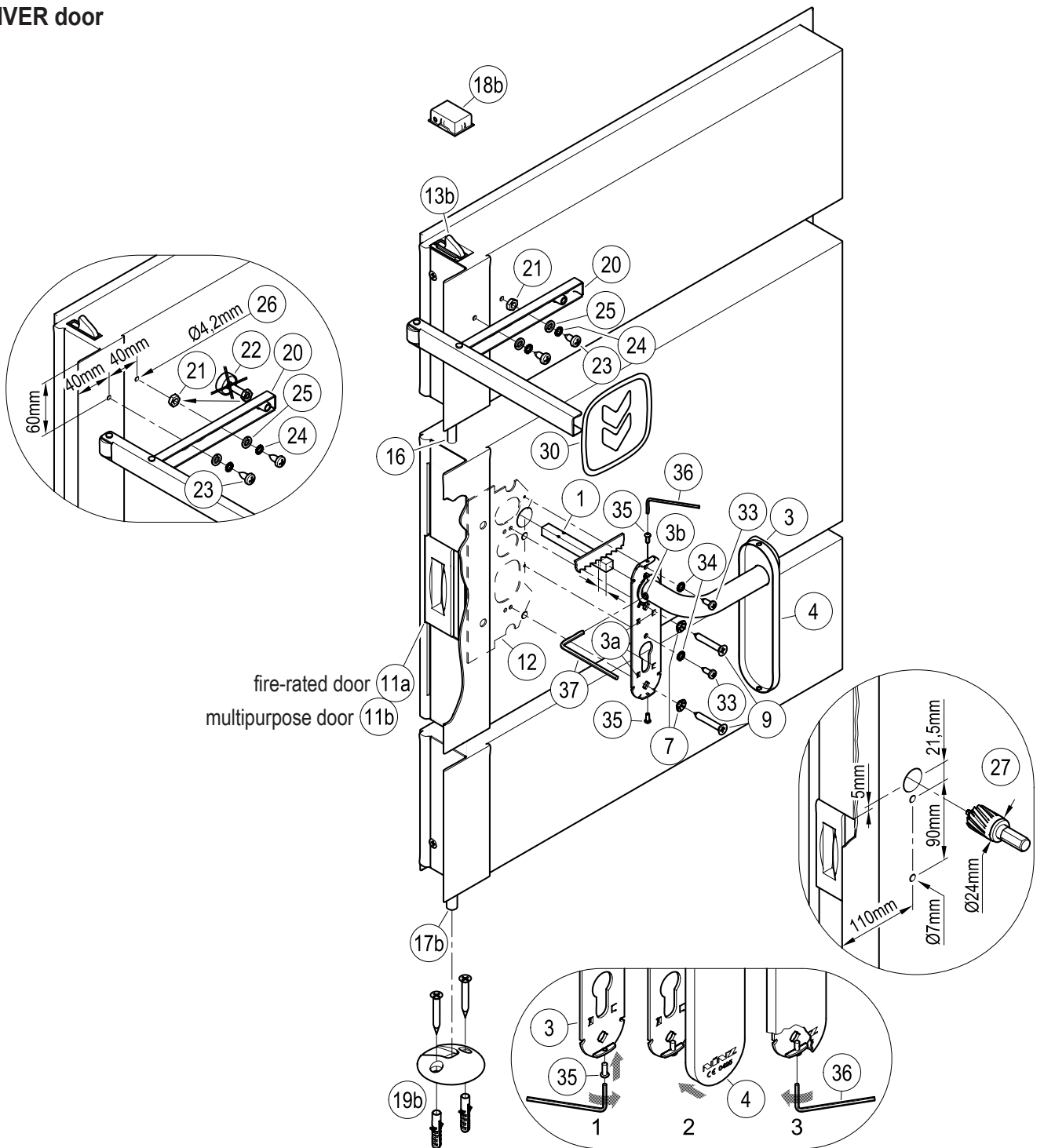
If a door closer is needed to return the door to the closed position, care should be taken not to make the opening step more difficult for children, the elderly and the disabled.

A pictogram (arrow) should be positioned immediately above the handle activation lever on the internal side of the door.




All of the included components described herein must be positioned and mounted in conformity with the present document.

UNIVER door



CONTENTS OF THE M14X EMERGENCY HANDLE PACKAGE (for Univer door)

position	pcs.	description	position	pcs.	description
1	01	Square spindle 9x9x85mm	25	02	M6 toothed washer
3, 3b	01	Stainless steel handle with galvanized steel installation plate and fastening socket set screw	30	01	Adhesive pictogram (green arrow)
4	01	Blank cover plate in stainless steel	33	02	Pan head self tapping screw Ø4,2x13mm
7	02	Countersunk toothed washer	34	02	M5 toothed washer
9	02	Self-tapping countersunk screw Ø5,5x38mm	35	02	M3x8mm pan head screw
19b	01	Univer floor catch with 2 plastic anchors	36	01	S2 hex key
20, 21, 22	01	Carrier arm (for fire-rated doors only - idem pos. 23, 24 and 25)	37	01	S3 hex key
23	02	Pan head self tapping screw Ø5,5x13mm	-	01	M14X handle set installation instructions
24	02	Washer			

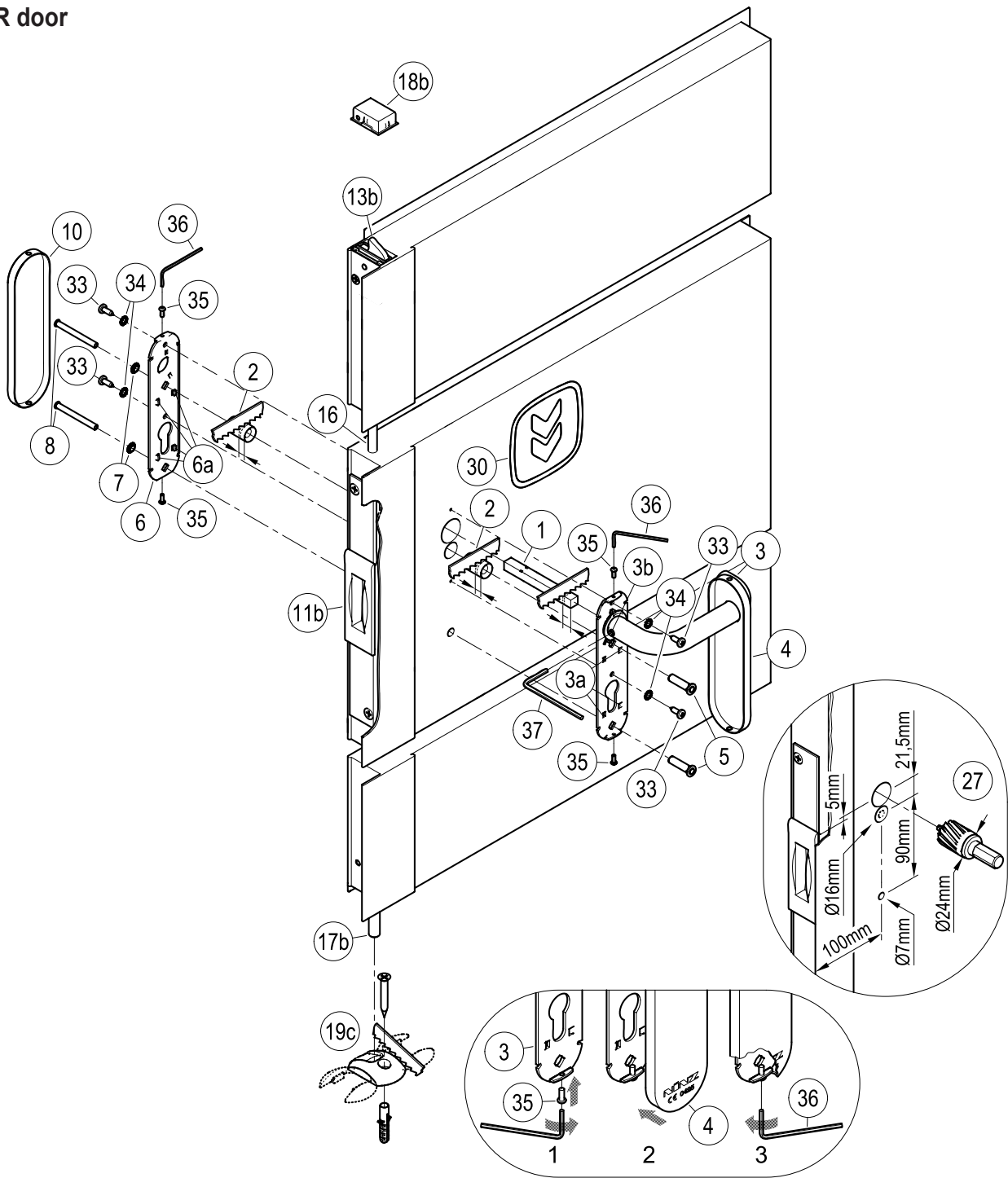
 Please note that article 4 of the MD of 03 November 2004 obliges the installer to write up, sign and provide the owner of the activity with a declaration of proper installation that makes explicit reference to the instructions supplied by the exit device manufacturer.

N.B.: lock (11a or 11b), subplate (12), upper bolt-device (13b) rods (16, 17b) and strike box with roller (18b) are already installed on the door.

TOOLS REQUIRED


Medium-sized Philips-head screwdriver or electric screwdriver, electric drill with Ø2mm, Ø4,2mm, Ø7mm and Ø24mm drill bit for steel, fine-toothed hack-saw.

REVER door



CONTENTS OF THE M14X EMERGENCY HANDLE PACKAGE (for Rever door)

position	pcs.	description	position	pcs.	description
1	01	Square spindle 9x9x85mm	10	01	Blank cover plate in stainless steel (opposite side of handle)
2	02	Ø15,0x23,5mm spacer	19c	01	Rever floor catch with 1 plastic anchor
3, 3b	01	Stainless steel handle with galvanized steel installation plate and fastening socket set screw	30	01	Adhesive pictogram (green arrow)
4	01	Blank cover plate in stainless steel (handle side)	33	04	Pan head self tapping screw Ø4,2x13mm
5	02	M5 threaded insert	34	04	Toothed washer
6	01	Installation plate in galvanized steel	35	04	M3x8mm pan head screw
7	02	Countersunk toothed washer	36	01	S2 hex key
8	02	M5x50mm countersunk head screw	37	01	S3 hex key
			-	01	M14X handle set installation instructions


 Please note that article 4 of the MD of 03 November 2004 obliges the installer to write up, sign and provide the owner of the activity with a declaration of proper installation that makes explicit reference to the instructions supplied by the exit device manufacturer.

N.B.: lock (11b), upper bolt-device (13b) rods (16, 17b) and strike box with roller (18b) are already installed on the door.

TOOLS REQUIRED




Medium-sized Philips-head screwdriver or electric screwdriver, electric drill with Ø2mm, Ø7mm, Ø16mm and Ø24mm drill bit for steel, fine-toothed hack-saw.

IMPORTANT


- Installation should be carried out by qualified personnel only and in strict conformity with the instructions supplied.
- For a correct installation all supplied components must be used, including spacers and toothed washers.
-  - No variations are allowed, and only components indicated in the package contents may be used.
- Before proceeding with installation, check the package contents to ensure that no pieces are missing.
- Any different installation configuration from those illustrated on pages 2/6, 3/6 and 4/6 are not allowed.
- Ensure that the main leaf is also equipped with a panic or emergency device.
- In case of not installed Rever or Univer door and to avoid any other adaptation operations, it is recommended to define the opening direction at every beginning so that changing operations of the opening direction listed in the installation instructions of the door itself can be executed at the same time. As standard the door is prepared for right hand opening to pull.

INSTALLATION

- If not already installed, apply the floor catch (19a, 19b or 19c) by attaching it with the appropriate screws and fasteners according to the door installation instructions.
- If no hole for passage of the square spindle (1) has been provided, drill the hole in the metal panel from the push side of the door at the position indicated in figure (27). In case of Rever door, the two holes Ø7mm for threaded inserts (5) must entirely cross the leaf. Enlarge the upper hole at Ø16mm from both sides of the leaf. Remove the four fins (3a) from the back of installation plate of the handle (3) and (6a, in case of Rever door) of the installation plate (6).
- Insert the square spindle (1) with the bevelled side first into the lock (11a or 11b). Adjust the square spindle according to the thickness of the leaf so that it does not protrude more than 42mm from the surface.
- Screw onto installation plate of stainless steel handle (3), the screws (35), just enough to insert the cover plate (4). In case of Rever door, repeat the procedure with the installation plate (6) and the cover plate (10).
- In case of Univer or Proget door: apply the handle (3) on the push side of the door, being careful to center the square spindle and fastening handle with the screws (9) and toothed washers (7), by centering the respective holes of the subplate (12).
- In case of Rever door: adjust the plastic spacers (2) to the thickness of the leaf so that they do not protrude from it. Insert the two threaded inserts (5) in the installation plate of handle (3) and insert the spacer (2) over the upper threaded insert. Apply the handle on the push side of the door, being careful to center the square spindle and the inserts over their respective holes. Apply the screws (8), toothed washers (7) and spacer (2) at the installation plate (6) and approach it to the opposite side of the door. Center the screws correctly and start them by hand before fastening with the screwdriver.
- Fasten the installation plate of stainless steel handle (3) using the Ø4,2x13mm self-tapping screws (33) and their toothed washers (34) after drilling holes in the metal panel with the Ø2mm drill bit. Insert the cover (4) onto the handle (drw. 2). Using the S2 hex key (36) to unscrew the screws (35) until the cover become fixed, avoiding any deformations (drw. 3). In case of Rever door, repeat the procedure with the installation plate (6) and the cover plate (10). Insert and fasten the socket set screw (3b) well with the S3 hex key (37).
- Use the handle (3) and check if the counter-latchbolt of the lock (11a or 11b) exits completely and if it runs free.
- In case of fire-rated door, apply the carrier arm (20), drilling the two holes (26) if necessary, using an Ø4,2mm drill bit, as shown in the drawing and fastening the carrier arm with the two 5,5x13mm self-tapping screws (23) and their washers (24 and 25). In case of Proget fire-rated door, adjust the rubber spacer (22) so that the carrier arm rests correctly on the leaf. For Univer fire-rated doors instead, it is necessary to unscrew the rubber spacer (22) which will not be used and use the nut (21) as a spacer for fastening of the link arm through the third slotted hole.
- If installed, adjust the position of the carrier arm (20) so that using the handle of the inactive leaf causes that the active leaf is pushed just enough to ensure the correct closing sequence for the two leaves (active leaf held in waiting position by the closing regulator).



-  - For fire-rated doors it is mandatory to apply the carrier arm.
-  - Activate the M14X handle to check the complete exit of the counter-latchbolt of the lock (11a or 11b) and the full retraction of the upper bolt-device (13a or 13b) as well as the lower rod (17a or 17b). Test the door in both open and close positions. In case of fire-rated doors verify that the self-closing sequence of the two leaves operates properly.
- Apply the pictogram (30) with the green arrow on the internal surface of the door, just above the M14X emergency handle.
-  - Lastly, use a dynamometer to measure the force required on the lever of the handle to free the lock. Record this force measurement in the present document.



USE

- Ensure that the door always opens easily.
- Avoid unnecessary strains on or handling of the handle.
- Protect the handle from external atmospheric agents.
- Ensure that nothing hinders the free movement of the lever of handle.
- Do not paint the panic safe lock of the passive leaf, neither the upper bolt-device, neither the tip of the lower rod and its respective guide.
- Use the handle properly, do not pull them in the wrong direction.
-  - Make sure that any damaged or malfunctioning parts are replaced immediately.

MAINTENANCE

To ensure that door usage conforms with regulations, the following maintenance checks should be carried out at least once a month:

- Confirm that all of the installed components correspond with those listed in the present instructions and that no other latching devices than those originally installed have been added to the door.
- Inspect and activate the handle for emergency exit to verify that all of its components are in satisfactory operational condition.
- Use a dynamometer to confirm that the release force shows no significant differences from the forces recorded at the time of installation.
-  - Check whether all screws are fully tightened, tightening any that may have loosened.
- Verify that the activation of the handle happens without effort, that the counter-latchbolt of the lock comes completely out and that the upper bolt-device (13a or 13b) and the lower rod (17a or 17b) retract all the way. Test the system with the doors open and closed.
- Once released the handle and closed the leaf, verify that the counter-latchbolt retracts fully as well as the upper bolt-device and lower rod exit completely.
- In case of fire-rated doors open the two leaves by acting on the handle of the inactive leaf and verify the correct closing sequence of the two leaves.
-  - Ensure that the upper strike box with roller and floor catch are not blocked; if so, remove the obstruction.
- The product requires no special maintenance. Grease spray should be used to lubricate the upper bolt-device, the lower rod-guide, internal workings of the panic safe lock for inactive leaf and the handle on a regular basis.
- For normal cleaning, use a cleaning agent designed specifically for stainless steel.

-  - **Any adjustments that become necessary must be carried out by qualified personnel using original NINZ replacement parts.**
-  - **The owner of the activity is responsible for keeping the declaration of correct installation on file, conducting proper emergency device maintenance in accordance with all of the manufacturer's maintenance guidelines, keeping maintenance and check-up records and preserving the present document.**

