

- 1) Identification code: **M14 EMERGENCY EXIT DEVICE**
- 2) Identification number: 4203202.001 KIT M14 for Univer fire-rated, Proget fire-rated and multipurpose
 4203202.003 KIT M14 for Univer multipurpose
 4203202.004 KIT M14 for Rever multipurpose
- 3) Intended product use: Emergency exit device for escape routes suitable for the inactive leaf of two-leaved doors with dimensions up to 1350x2880mm/leaf, mass up to 300kg/leaf, mounted on hinges or pivots, with fire resistance up to EI₂120 - REI120 and smoke proof. Projection of the handle 67mm.
- 4) Manufacturer: NINZ S.p.A. - corso Trento 2/A
 I-38061 ALA (TN) www.ninz.it
 tel. +39 0464 678300 - fax +39 0464 679025
- 5) Auth. representative: -
- 6) Assessment perf. sys.: system 1
- 7) Harmonized standard: EN 179:2008
- 8) Notified body: ICIM S.p.A. N.B. no. 0425 have issued the certificate of conformity for the factory production control no. 2148-CPD-2010.

- 9) Declared performances:
- | Essential characteristics | Performance-grade | Paragraph |
|---|----------------------------|-----------|
| Category of use | 3 - high frequency | 7.1 |
| Durability | 7 - 200.000 cycles | 7.2 |
| Door mass | 7 - over 200kg | 7.3 |
| Suitability for use on fire/smoke doors | B - suitable | 7.4 |
| Safety toward people | 1 - for emergency exits | 7.5 |
| Corrosion resistance | 4 - 240 h (very high res.) | 7.6 |
| Security toward goods | 4 - 3000N | 7.7 |
| Projection of operating element | 2 - up to 100mm | 7.8 |
| Type of operation | A - lever handle | 7.9 |
| Field of door application | C - 2 leaved inactive | 7.10 |
| Dangerous substances | conform | ZA |
- 10) Emergency devices listed in point 1 and 2 are conform to the performances declared in point 9. This declaration of performance is issued under the exclusive responsibility of the manufacturer listed in point 4.

Signed in the name and on behalf of the manufacturer:

Ninz Karl
 legal representative of the NINZ S.p.A.

INSTALLATION, USE AND MAINTENANCE HANDBOOK

A195-GB
 5001292/2 - 09/15

SYMBOLS EMPLOYED

- CAUTION**
 Indicates a danger that threatens people and/or material goods. Failure to observe the warnings indicated by this symbol may have serious consequences, such as personal injury and property damage.
- ATTENTION**
 Indicates a danger that threatens material goods. Failure to observe the warnings indicated by this symbol may result in damage to material goods.
- NOTICE**
 Warnings related to important technical aspects.

PRODUCT DESCRIPTION

Emergency device for inactive leaf of two-leaved doors located at emergency exits and activated by lever handle. Composed of panic safe lock for inactive leaf, one black plastic lever handle with core and installation plate in galvanized steel and black plastic cover plate.

OPERATION MODE

The M14 emergency device is always used in combination with another emergency or security device applicated at the active leaf and therefore no external control is expected. From push-side opening is possible at any time by using the handle which draws back the vertical rods and at the same time pushes back the latch bolt of the active leaf lock, so that both leaves are free.

WARNINGS

The M14 handle for emergency exit is intended for the installation on doors to used by people that are accustomed to use the controls of the panic devices for escape routes. Therefore their use is suitable when a panic situation is very unlikely.

The safety features of this product are of fundamental importance to ensure its conformity with EN 179. It is strictly forbidden to introduce any type of modifications apart from those described in these installation instructions.

RECOMMENDATIONS

To ensure high level of human safety and appropriate safety levels for material goods, the handle for emergency exit must be installed on doors and doorframes that are in good conditions. The installation of the door itself, therefore, should be checked to ensure that it was installed properly and that nothing obstructs its normal movement.

If rebate sealing are mounted on the door, make sure they do not inhibit proper functioning of the emergency exit device.

In case of two-leaved door where both leaves are equipped with emergency devices or in combination with a panic bar, it is mandatory to check that each leaf opens when its respective device is activated and that leaves open freely when the devices are activated simultaneously.

The fastening instructions in the present document should be followed scrupulously during installation. Once installation is complete, the installer should give this document to the owner of the activity.

For securing the door in the closed position, do not employ any other latching devices than those specified in the present document. This does not preclude the installation of automatic closing devices.

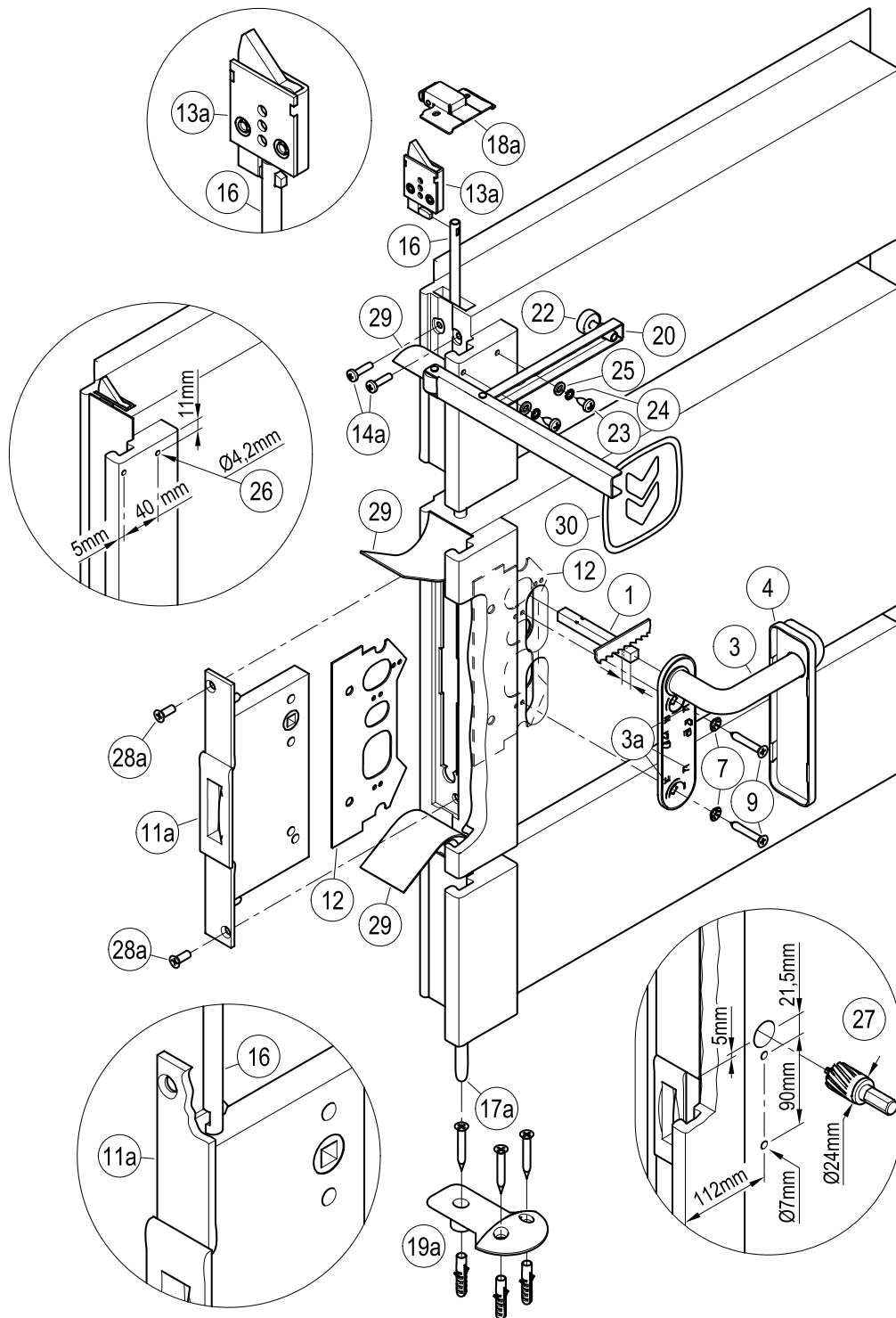
The M14 emergency device is also designed for installation on hollow metal doors with an internal cell structure.

If a door closer is needed to return the door to the closed position, care should be taken not to make the opening step more difficult for children, the elderly and the disabled.

A pictogram (arrow) should be positioned immediately above the handle activation lever on the internal side of the door.

All of the included components described herein must be positioned and mounted in conformity with the present document.


PROGET door



CONTENTS OF THE M14 EMERGENCY HANDLE KIT PACKAGE (for Proget door)

position	pcs.	description	position	pcs.	description
1	01	Square spindle 9x9x85mm	23	02	Pan head self tapping screw Ø5,5x13mm
3	01	Black plastic handle with galvanized steel installation plate	24	02	Washer
4	01	Blank cover plate in black plastic	25	02	Toothed washer
7	02	Countersunk toothed washer	30	01	Adhesive pictogram (green arrow)
9	02	Self-tapping countersunk screw Ø5,5x38mm	-	01	M14 handle set Kit installation instructions
11a	01	Panic safe lock for inactive leaf			
12	01	Subplate			
20, 22	01	Carrier arm (mandatory for fire-rated doors only - idem pos. 23, 24 and 25)			

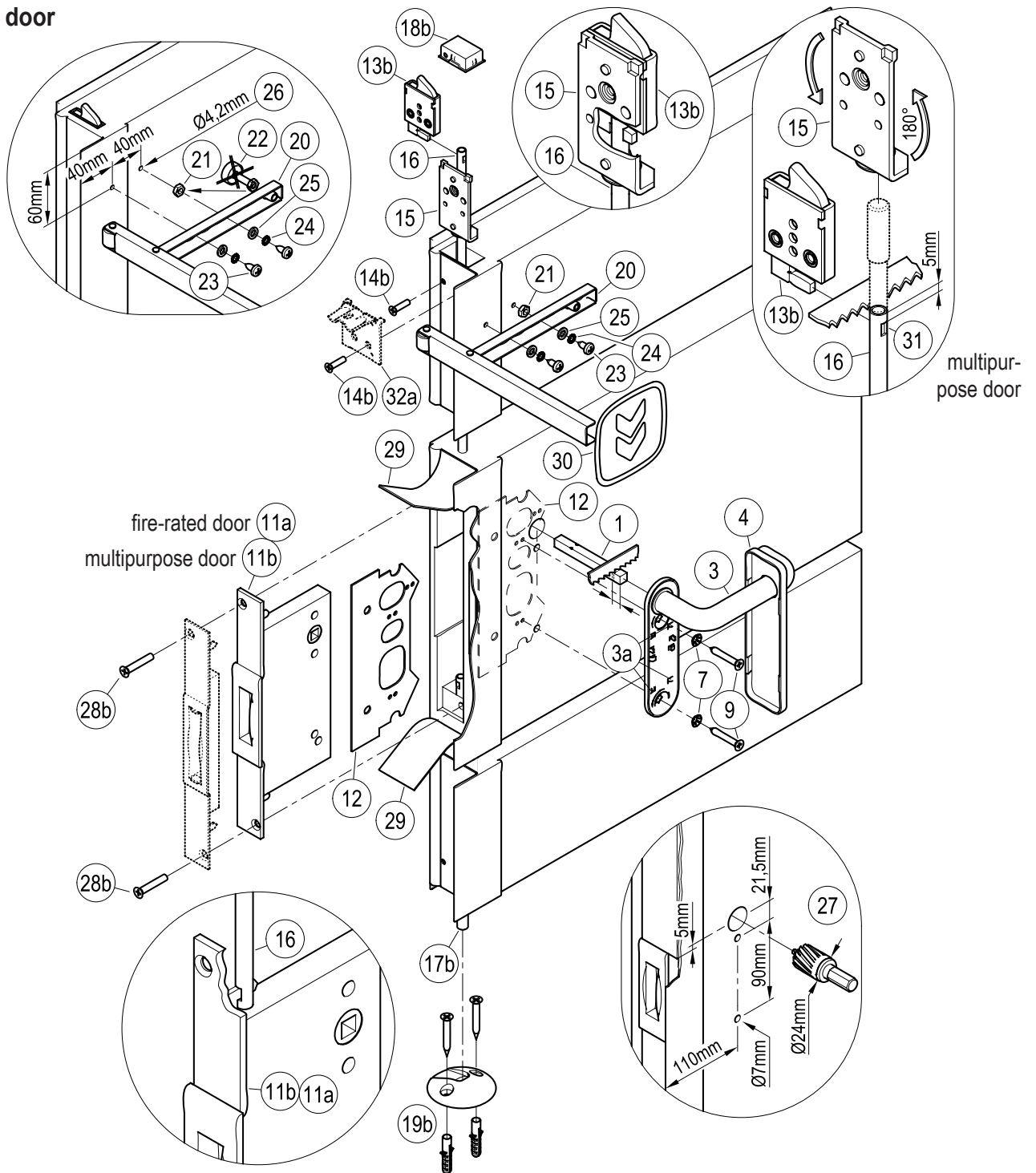
N.B.: upper bolt-device (13a) with screws (14a), rods (16, 17a), strike box with roller (18a) and floor catch (19a) are not a part of the KIT.

 Please note that article 4 of the MD of 03 November 2004 obliges the installer to write up, sign and provide the owner of the activity with a declaration of proper installation that makes explicit reference to the instructions supplied by the exit device manufacturer.

TOOLS REQUIRED

Medium-sized Philips-head screwdriver or electric screwdriver, electric drill with Ø4,2mm, Ø7mm and Ø24mm drill bit for steel, fine-toothed hack-saw.


UNIVER door



CONTENTS OF THE M14 EMERGENCY HANDLE KIT PACKAGE (for Univer door)

position	pcs.	description	position	pcs.	description
1	01	Square spindle 9x9x85mm	20, 21, 22	01	Carrier arm (for fire-rated doors only - idem pos. 23, 24 and 25)
3	01	Black plastic handle with galvanized steel installation plate	23	02	Pan head self tapping screw Ø5,5x13mm
4	01	Blank cover plate in black plastic	24	02	Washer
7	02	Countersunk toothed washer	25	02	Toothed washer
9	02	Self-tapping countersunk screw Ø5,5x38mm	30	01	Adhesive pictogram (green arrow)
11a or 11b	01	Panic safe lock for inactive leaf	-	01	M14 handle set Kit installation instructions
12	01	Subplate			
13b, 14b	01	Upper bolt-device with screws (supplied in case of multipurpose doors only)			

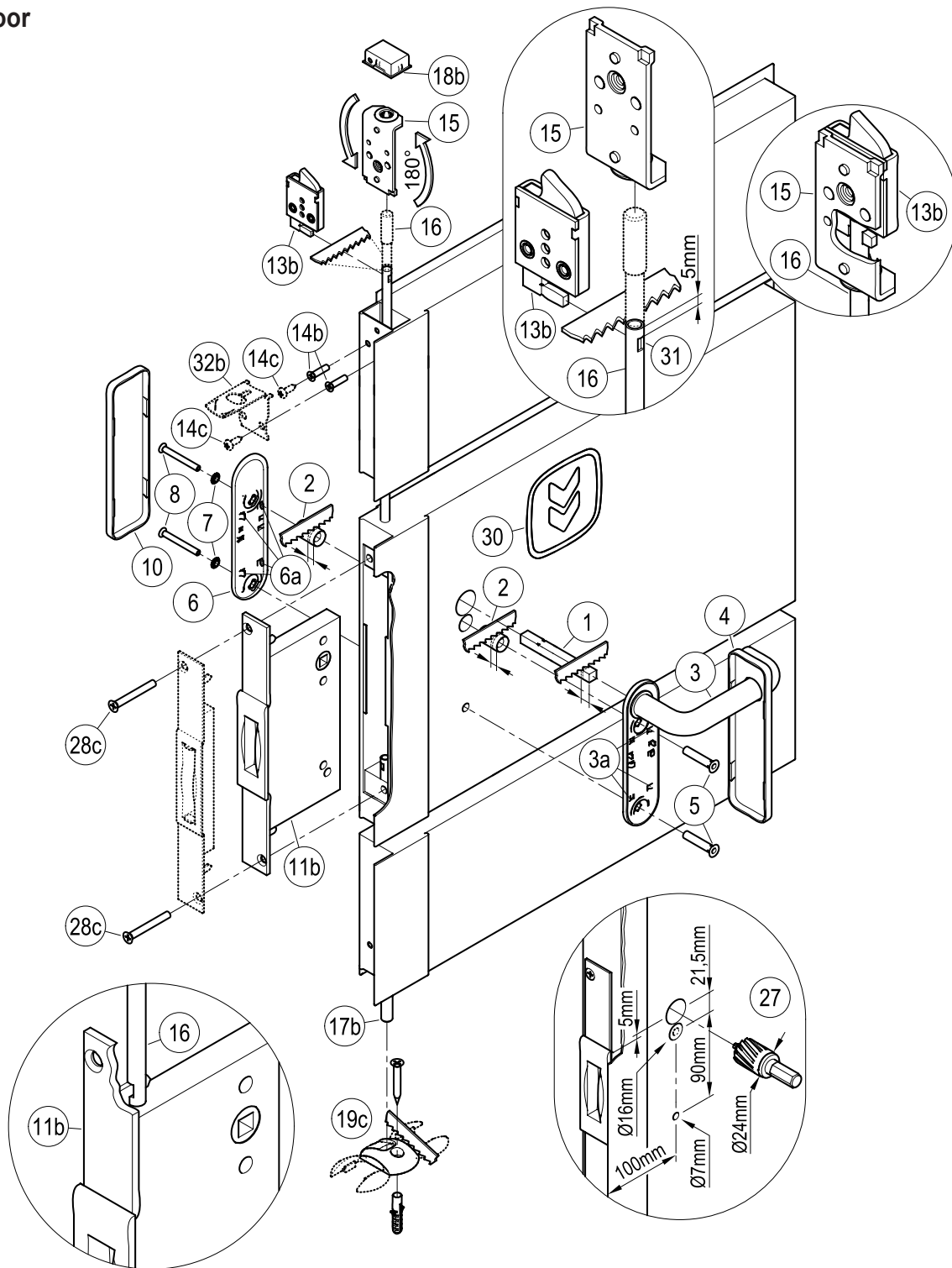
N.B.: rod-guide corner (15), rods (16, 17b), strike box with roller (18b), floor catch (19b) and corner joint (32a) for doorframe assembly are not a part of the KIT.

 Please note that article 4 of the MD of 03 November 2004 obliges the installer to write up, sign and provide the owner of the activity with a declaration of proper installation that makes explicit reference to the instructions supplied by the exit device manufacturer.

TOOLS REQUIRED

Medium-sized Philips-head screwdriver or electric screwdriver, electric drill with Ø4,2mm, Ø7mm and Ø24mm drill bit for steel, fine-toothed hack-saw.


REVER door



CONTENTS OF THE M14 EMERGENCY HANDLE KIT PACKAGE (for Rever door)

position	pcs.	description	position	pcs.	description
1	01	Square spindle 9x9x85mm	10	01	Blank cover plate in black plastic (opposite side of handle)
2	02	Ø15,0x23,5mm spacer	11b	01	Panic safe lock for inactive leaf
3	01	Black plastic handle with galvanized steel installation plate	13b, 14b	01	Upper bolt-device with screws
4	01	Blank cover plate in black plastic (handle side)	30	01	Adhesive pictogram (green arrow)
5	02	M5 threaded insert	-	01	M14 handle set Kit installation instructions
6	01	Installation plate in galvanized steel			
7	02	Countersunk toothed washer			
8	02	M5x45mm countersunk head screw			


N.B.: rod-guide corner (15), rods (16, 17b), strike box with roller (18b), floor catch (19c) and corner joint (32b) for doorframe assembly are not a part of the KIT.

 Please note that article 4 of the MD of 03 November 2004 obliges the installer to write up, sign and provide the owner of the activity with a declaration of proper installation that makes explicit reference to the instructions supplied by the exit device manufacturer.


TOOLS REQUIRED



Medium-sized Philips-head screwdriver or electric screwdriver, electric drill with Ø7mm, Ø16mm and Ø24mm drill bit for steel, fine-toothed hack-saw.

IMPORTANT


- Installation should be carried out by qualified personnel only and in strict conformity with the instructions supplied.
- For a correct installation all supplied components must be used, including spacers and toothed washers.
-  - No variations are allowed, and only components indicated in the package contents may be used.
- Before proceeding with installation, check the package contents to ensure that no pieces are missing.
- Any different installation configuration from those illustrated on pages 2/6, 3/6 and 4/6 are not allowed.
- Ensure that the main leaf is also equipped with a panic or emergency device and that the door is equipped with a floor catch (19a, 19b or 19c).
- In case of not installed Rever or Univer door and to avoid any other adaptation operations, it is recommended to define the opening direction at every beginning so that changing operations of the opening direction listed in the installation instructions of the door itself can be executed at the same time. As standard the door is prepared for right hand opening to pull.

INSTALLATION



- To make the work easier, it is best (though not required) to lay the passive (secondary) leaf horizontally across two work benches.
- First disassemble any handles components that are already present.
- Remove the installed lock for inactive leaf by unscrewing the two frontal screws (28a, 28b or 28c) after first detaching the thermo-expanding gasket (29) that is glued over them.
- In case of Rever or Univer multipurpose door: unscrew the two frontal screws (14b or 14c), if present remove the corner joint (32a or 32b) for doorframe assembly and unthread the upper vertical connecting rod (16) from the central upright, dragging also the rod-guide corner (15). Cut the tip of the vertical rod (16) at 5mm from the slotted hole (31), turn upside down the rod-guide corner (15) and thread it into the rod (16), insert the upper bolt-device (13b), join the three components in the right position and re-screw the group with the two M5x20mm screws (14b). The lower rod (17b) remains unchanged.
-  - Install the new panic safe lock (11a or 11b) for inactive leaf, in case of Univer or Proget doors insert also the subplate (12), making sure to center the slotted hole of both rods. The operation should be carried out with great care, making sure not to ruin or displace any of the components inside the lock housing. Attention: the hole for the square spindle on the lock mechanism should be turned towards the upper part of the door. Reuse the two M6 screws (28a, 28b or 28c) for the fastening of the panic safe lock. Ensure that the two rods are attached and can move freely.
- In case of fire-rated doors re-glue the thermo expanding gasket (29), if necessary by using a common silicone and refit the leaf correctly on the frame.
- If no hole for passage of the square spindle (1) has been provided, drill the hole in the metal panel from the push side of the door at the position indicated in figure (27). In case of Rever door, the two holes Ø7mm for threaded inserts (5) must entirely cross the leaf. Enlarge the upper hole at Ø16mm from both sides of the leaf. Remove the four fins (3a) from the back of installation plate of the handle (3) and (6a, in case of Rever door) of the installation plate (6).
- Insert the square spindle (1) with the bevelled side first into the lock (11a or 11b). Adjust the square spindle according to the thickness of the leaf so that it does not protrude more than 42mm from the surface.
- In case of Univer or Proget door: apply the handle (3) on the push side of the door, being careful to center the square spindle and fastening handle with the screws (9) and toothed washers (7), by centering the respective holes of the subplate (12).
- In case of Rever door: adjust the plastic spacers (2) to the thickness of the leaf so that they do not protrude more than 1mm from it. Insert the two threaded inserts (5) in the installation plate of handle (3) and insert the spacer (2) over the upper threaded insert. Apply the handle on the push side of the door, being careful to center the square spindle and the inserts over their respective holes. Apply the screws (8), toothed washers (7) and spacer (2) at the installation plate (6) and approach it to the opposite side of the door. Center the screws correctly and start them by hand before fastening with the screwdriver.
- Clip the cover plate (4 and, in case of Rever door, 10) manually onto the installation plate.
- Use the handle (3) and check if the counter-latchbolt of the lock (11a or 11b) exits completely and if it runs free.



- In case of fire-rated door, apply the carrier arm (20), drilling the two holes (26) if necessary, using an Ø4,2mm drill bit, as shown in the drawing and fastening the carrier arm with the two 5,5x13mm self-tapping screws (23) and their washers (24 and 25). In case of Proget fire-rated door, adjust the rubber spacer (22) so that the carrier arm rests correctly on the leaf. For Univer fire-rated doors instead, it is necessary to unscrew the rubber spacer (22) which will not be used and use the nut (21) as a spacer for fastening of the link arm through the third slotted hole.
- If installed, adjust the position of the carrier arm (20) so that using the handle of the inactive leaf causes that the active leaf is pushed just enough to ensure the correct closing sequence for the two leaves (active leaf held in waiting position by the closing regulator).
-  - For fire-rated doors it is mandatory to apply the carrier arm.
- Activate the M14 handle to check the complete exit of the counter-latchbolt of the lock (11a or 11b) and the full retraction of the upper bolt-device (13a or 13b) as well as the lower rod (17a or 17b). Test the door in both open and close positions. In case of fire-rated doors verify that the self-closing sequence of the two leaves operates properly.
- Apply the pictogram (30) with the green arrow on the internal surface of the door, just above the M14 emergency handle.
-  - Lastly, use a dynamometer to measure the force required on the lever of the handle to free the lock. Record this force measurement in the present document.

USE

- Ensure that the door always opens easily.
- Avoid unnecessary strains on or handling of the handle.
- Protect the handle from external atmospheric agents.
- Ensure that nothing hinders the free movement of the lever of handle.
- Do not paint the panic safe lock of the passive leaf, neither the upper bolt-device, neither the tip of the lower rod and its respective guide.
- Use the handle properly, do not pull them in the wrong direction.
-  - Make sure that any damaged or malfunctioning parts are replaced immediately.

MAINTENANCE

- To ensure that door usage conforms with regulations, the following maintenance checks should be carried out at least once a month:
- Confirm that all of the installed components correspond with those listed in the present instructions and that no other latching devices than those originally installed have been added to the door.
 - Inspect and activate the handle for emergency exit to verify that all of its components are in satisfactory operational condition.
 - Use a dynamometer to confirm that the release force shows no significant differences from the forces recorded at the time of installation.
 -  - Check whether all screws are fully tightened, tightening any that may have loosened.
 - Verify that the activation of the handle happens without effort, that the counter-latchbolt of the lock comes completely out and that the upper bolt-device (13a or 13b) and the lower rod (17a or 17b) retract all the way. Test the system with the doors open and closed.
 - Once released the handle and closed the leaf, verify that the counter-latchbolt retracts fully as well as the upper bolt-device and lower rod exit completely.
 - In case of fire-rated doors open the two leaves by acting on the handle of the inactive leaf and verify the correct closing sequence of the two leaves.
 -  - Ensure that the upper strike box with roller and floor catch are not blocked; if so, remove the obstruction.
 - The product requires no special maintenance. Grease spray should be used to lubricate the upper bolt-device, the lower rod-guide, internal workings of the panic safe lock for inactive leaf and the handle on a regular basis.
 - For normal cleaning use mild detergents.

-  - Any adjustments that become necessary must be carried out by qualified personnel using original NINZ replacement parts.
-  - The owner of the activity is responsible for keeping the declaration of correct installation on file, conducting proper emergency device maintenance in accordance with all of the manufacturer's maintenance guidelines, keeping maintenance and check-up records and preserving the present document.

