

DORMA GmbH & Co. KG
DORMA Platz 1
58256 Ennepetal
Germany

als verantwortlicher Hersteller der / as the manufacturer responsible for the / in qualità di responsabile
produttore del

DORMA GSR, DORMA SR, DORMA ED200 ESR, DORMA MK
EG Konformitätszertifikat: 0432 – BPR - 0026

erklärt hiermit die Übereinstimmung, der oben aufgeführten Produkte/Systeme mit den zutreffenden
Anforderungen über die Sicherheitsziele folgender Richtlinie des Rates zur Angleichung der
Rechtsvorschriften der Mitgliedstaaten der EG /

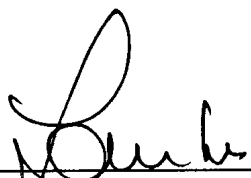
hereby confirms that products/systems corresponding to the above type of construction comply with all
the essential health and safety requirements applying to them as pursuant to the European Council
Directive on the Approximation of the Laws of the Member States, and specifically with the following
European Council Directives /

Con la presente si certifica che i prodotti/sistemi sopra menzionati sono conformi a tutte le
caratteristiche di salute e igiene richieste dal Consiglio di Direzione Europeo in base alle leggi in
vigore degli Stati membri e in particolare con le Direttive del Consiglio Europeo:

- | | | |
|-------------------------------------|---------------------------|---|
| <input type="checkbox"/> | 73/23/EWG/EEC/CEE | Niederspannungsrichtlinie / Low voltage directive / Directive basse
tension |
| <input checked="" type="checkbox"/> | 89/106/EWG/EEC/CEE | Bauprodukte / Building products / Prodotti da costruzione |
| <input type="checkbox"/> | 89/336/EWG/EEC/CEE | Elektromagnetische Verträglichkeit / Electromagnetic compatibility /
Compatibilité électromagnétique |
| <input type="checkbox"/> | 98/37/EG | Maschinenrichtlinie / Machinery directive / Directive machine |

Es wurden die produktrelevanten Abschnitte der folgenden Normen und Bestimmungen angewandt /
In view of the relevant paragraphs for our product, this declaration is based on the following applied
standards / Con riferimento ai paragrafi delle normative applicabili ai prodotti sopraelencati, questa
dichiarazione si applica specificatamente ai seguenti standard evidenziati:

- | | | | | | | |
|---|--------------------------|--------------|--------------------------|------------------|-------------------------------------|----------------|
| Harmonisierte europäische Norm /
Harmonized European standards /
Norma Europea armonizzata: | <input type="checkbox"/> | EN 292-2 | <input type="checkbox"/> | EN 61000 - 6 - 2 | <input type="checkbox"/> | EN 1154 |
| | <input type="checkbox"/> | EN 294 | <input type="checkbox"/> | EN 55014 | <input type="checkbox"/> | EN 1155 |
| | <input type="checkbox"/> | EN 50081 - 1 | <input type="checkbox"/> | EN 55022 | <input checked="" type="checkbox"/> | EN 1158 |
| | <input type="checkbox"/> | EN 50081 - 2 | <input type="checkbox"/> | EN 60335 - 1 | <input type="checkbox"/> | EN 1125 |
| | <input type="checkbox"/> | EN 50082 - 1 | <input type="checkbox"/> | EN 60950 - 1 | <input type="checkbox"/> | EN 179 |
| | <input type="checkbox"/> | EN 50082 - 2 | <input type="checkbox"/> | | <input type="checkbox"/> | |



pp.a. J.Lankes



Ennepetal, 18.May.2010

FIXING INSTRUCTIONS

Technical Data EMF

Operating voltage:	24 V DC
Power input:	1,4 W (GSR EMF2 = 2,8 W)
Rated for continuous duty:	100 % ED
Release torque:	approx. 25 - 65 Nm at an opening angle of 90° (dependent upon the strength setting of the door closer)
Door opening angle:	max. 130°

The unit is controlled by an external RMZ smoke detector

Approval certification

The G - SR has been approved by the State Material Testing Authority, Dortmund, for use on double (two-leaf) fire/smoke check doors in Germany.

A separate approval certificate is required in conjunction with the fire/smoke check door concerned (e.g. where DIN standards apply) – check local regulations.

Abbreviations

G	= Active leaf
S	= Inactive leaf
GSR	= Slide channel-type door co-ordinator
GSR EMF1	= with electro-mechanical hold-open for the inactive leaf
GSR EMF2	= with electro-mechanical hold-open for the inactive and active leaves
GSR EMF1G	= with electro-mechanical hold-open for the active leaf

The slide channels are non-handed, i.e. suitable for LH and RH doors.

The following describes the fixing process for a left-handed (ISO 6) active leaf. The procedure for a right-handed (ISO 5) active leaf should be adapted accordingly.

1a Door width >1350 mm

Drill the fixing points for the closer body and slide channel in accordance with the template or the dimensioned drawing.

For models with electro-mechanical hold-open, wire-in the power supply from the smoke detector.

1b Door width 1220 - 1350 mm

Installation is only possible with the G - SR-VK cover set for narrow doors (shorter arm).

Drill the fixing points for the closer body and slide channel in accordance with the template or the dimensioned drawing.

The holes marked with a "+" on the template should be used for the slide channels.

For models with electro-mechanical hold-open, wire-in the power supply from the smoke detector.

2 To fix the inactive leaf slide channel, proceed as indicated in steps ① - ③

3 To fix the active leaf slide channel, proceed as indicated pictorially in steps ① - ③

Fit the closer body and arm in accordance with the TS 93 B fixing instructions, and adjust both door closers as required

4 Measure dimension X ①.
Shorten connecting rod ② to X-47 (TS 93 EN2-5)
X-43 (TS 93 EN 5-7).

5 Open both door leaves ① ②.
Ensure that the adjustment sleeve has been fully wound in ③.
Insert the connecting rod into the adjustment sleeve of the active leaf slide channel ④, and then place in the plastic slider of the inactive leaf slide channel ⑤.

6 Close both door leaves ① ②.
Unwind the adjustment sleeve by hand ③ until pin drops out ④. In this process, ensure that the clamping plate remains perpendicular (90°) to the clamping rod ④.1.
Secure adjustment sleeve ⑤.
Note: The pin retains the closing mechanism in its neutral position without clamping and can be discarded once the system has been installed.



The clamping rod will only operate smoothly if the clamping plate has been properly adjusted. Only then will the active leaf swing freely with the inactive leaf closed.

Functional checks:

Open both door leaves and then hold the inactive leaf in its open position.

The active leaf must then stay open at any angle.

Allow the inactive leaf to close.

The active leaf should close automatically once the inactive leaf has reached its closed position.

For G - SR without electro-mechanical hold-open (EMF), skip to step 10

- 7** Install interconnecting cabling supplied ① (shortening as necessary)
Ensure that the cable does not come into contact with any moving parts and that it is not caught inside the connecting rod.

Connect the cable as follows:
EMF - inactive leaf ②

24 V DC - from RMZ smoke detector or smoke detector by others ③

E = Limit switch - this releases the inactive leaf when the active leaf is pulled off/released from its hold-open position.

8 Setting the hold-open point

GSR-EMF 1

The hold-open point of the inactive leaf is adjustable between approx. 80° and 130°. The active leaf is held open by the door co-ordinator.

GSR-EMF 1G

The hold-open point of the active leaf is adjustable between approx. 80° and 130° (inactive leaf cannot be held open).

GSR-EMF 2

Both hold-open points can be adjusted independently of one another between approx. 80° and 130°.

Switch on power supply (24 V DC).
Open door leaves and engage hold-open ①.
Loosen screws ②.
Open door to required hold-open angle and secure ③.
Re-tighten screws ④.



The door cannot be opened beyond the hold-open point; fix a door stop at this position ⑤.

9 Setting the pull-off force

Adjust the pull-off force to suit the door width and size of door closer.
EN 1155 states that the release torque at 90° door opening angle should be between 40 and 120 Nm.



If the pull-off force is set too high, damage might occur at the hinges and the fixings of the door closer system.

Functional checks:

GSR EMF 1, GSR EMF 2:

Open both door leaves and engage hold-open.
Then pull the active leaf closed.
The inactive leaf must be automatically released and closed.
The active leaf should also close automatically once the inactive leaf has reached its closed position.

GSR-EMF 1, GSR-EMF 1G, GSR-EMF 2:


Open active leaf and engage hold-open.
Open inactive leaf and engage hold-open (not EMF 1G).
Interrupt the power supply and ensure that the hold open mechanisms are released.
The active leaf should also close automatically once the inactive leaf has reached its closed position.

- 10** Clip on end cap trims.
Break out marked recess in the cover and clip cover into position. Ensure that the cover provides a flush closure with the end cap trims.


- 11** Determine the required length of centre cover and saw to size.
Clip on cover and plastic jointing elements.

For remainder of the installation, see fixing instructions for TS 93 B.

FINAL INSPECTION AND MAINTENANCE

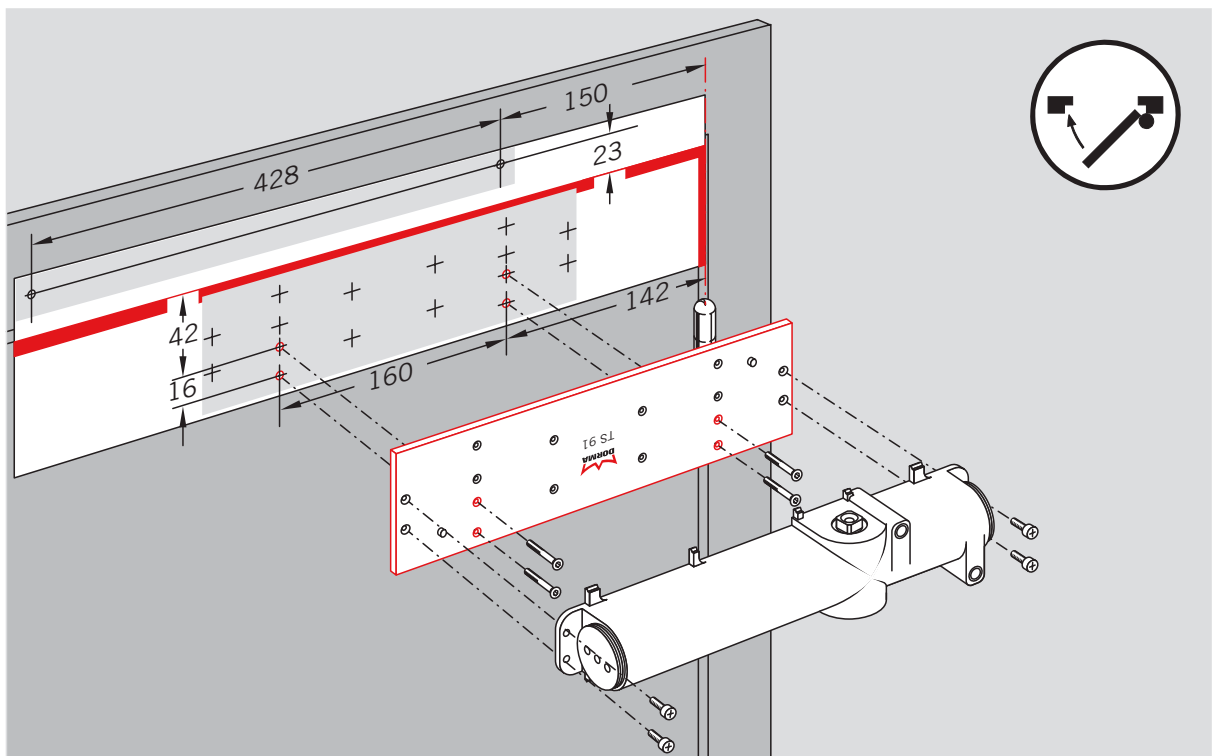
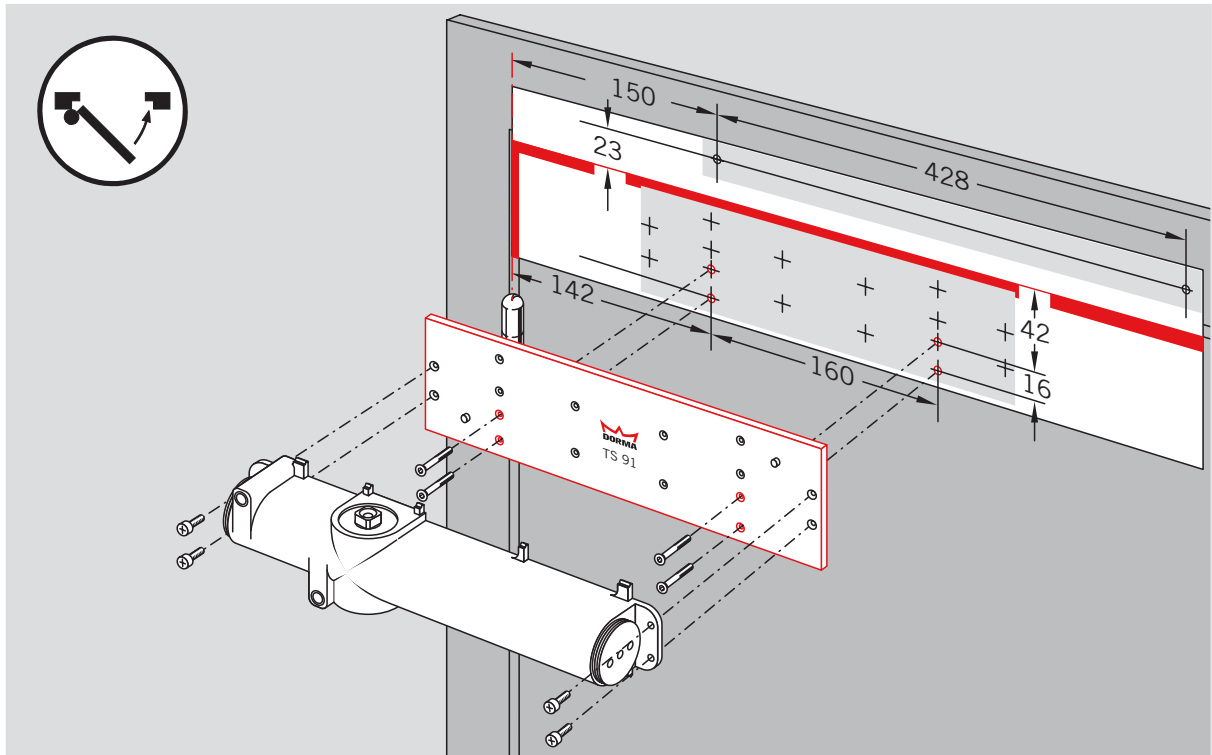
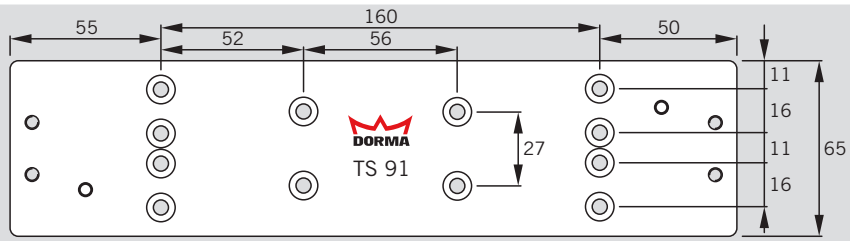
 See instruction sheet relating to the use and application of hold-open systems.¹⁾

FURTHER INFORMATION

 See guidelines for hold-open systems published by the Institute for Building Technology, Berlin¹⁾, or equivalent national guidelines.

¹⁾ Some documents are only printed in German as they refer exclusively to the German market.

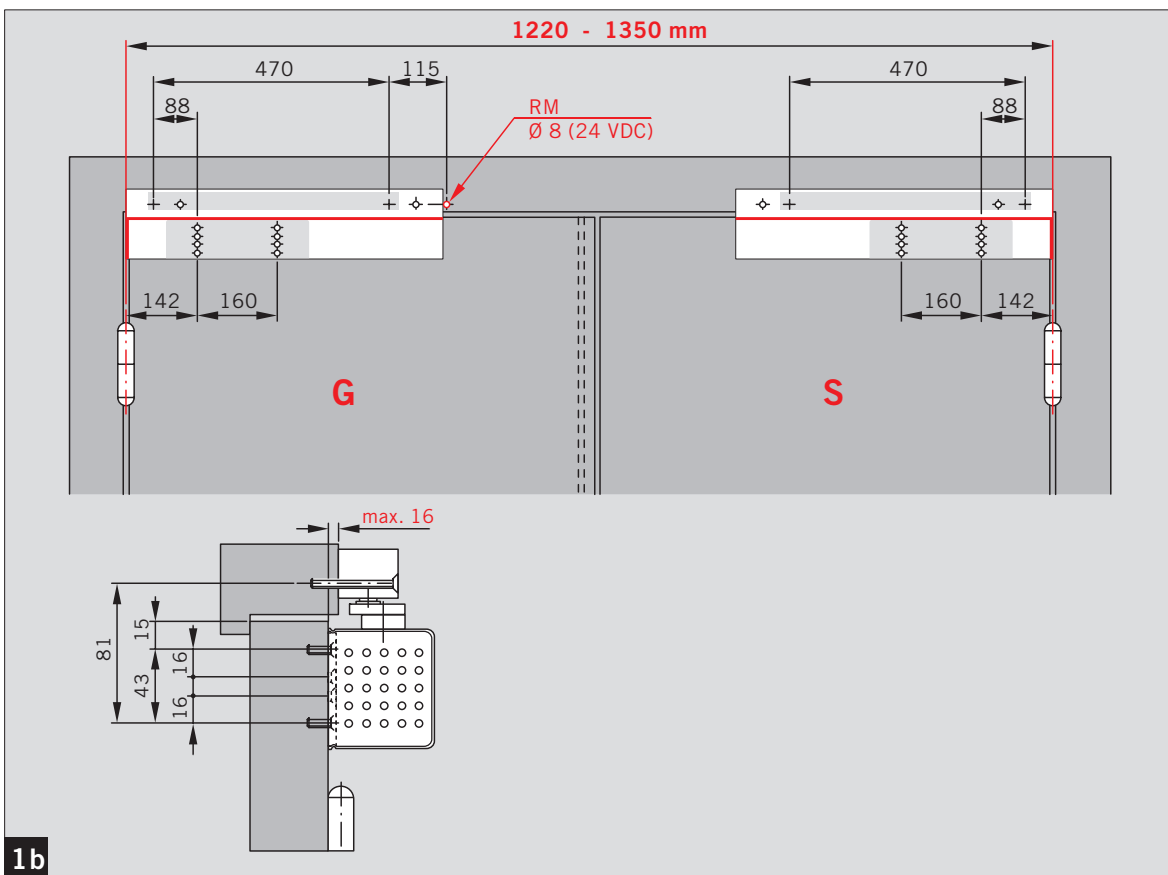
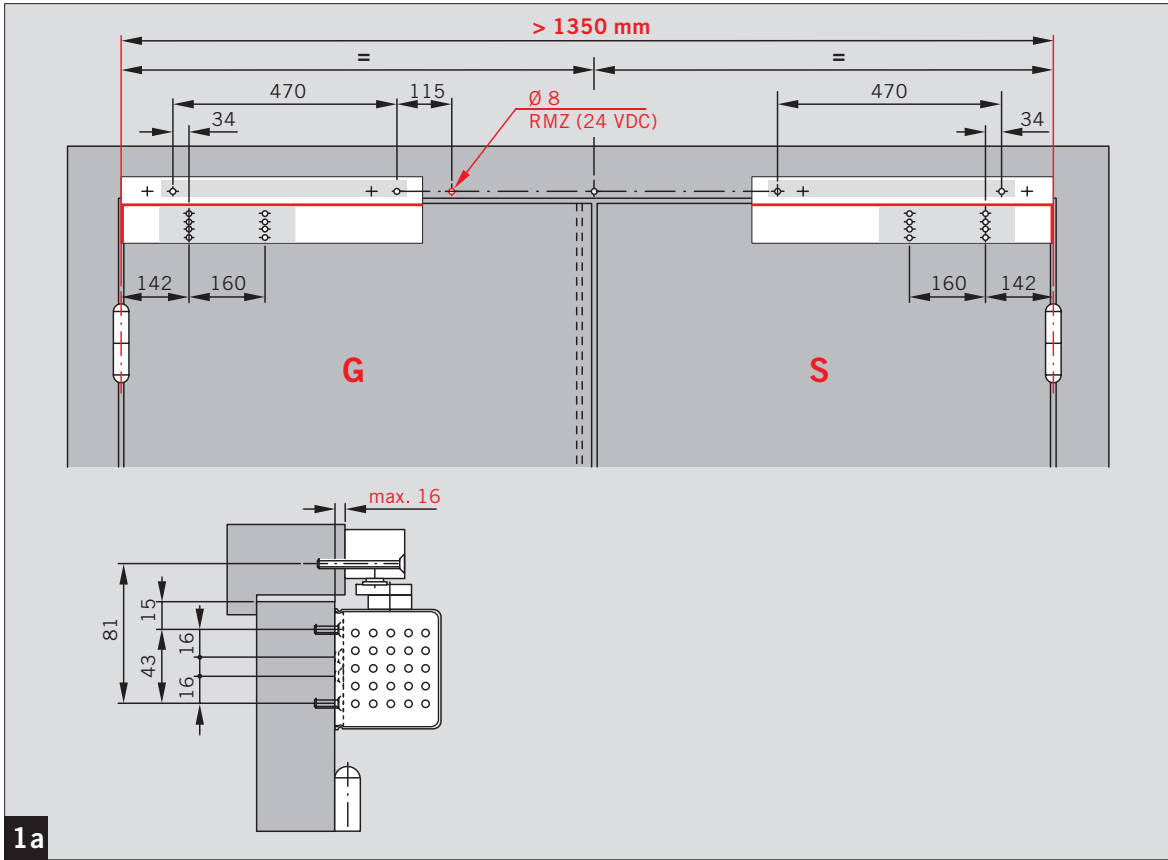
WN 055472
01/02

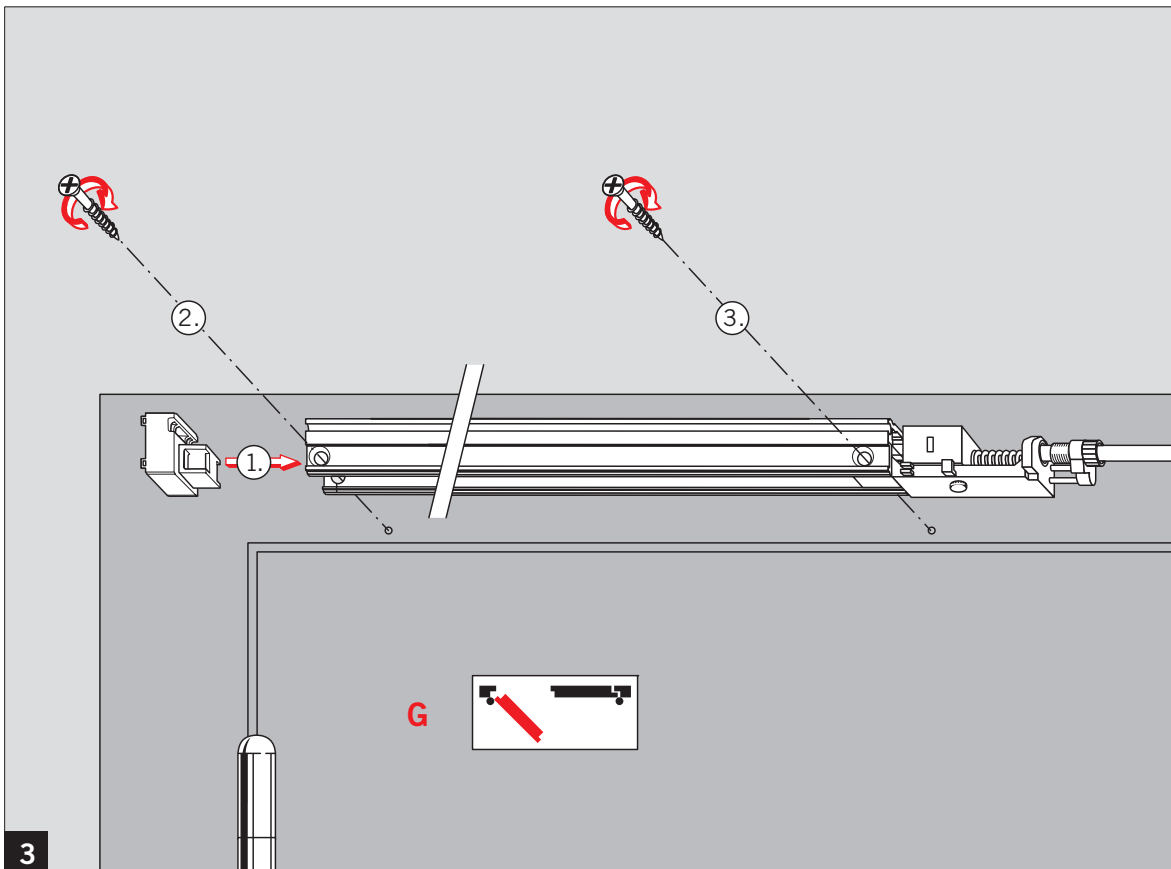
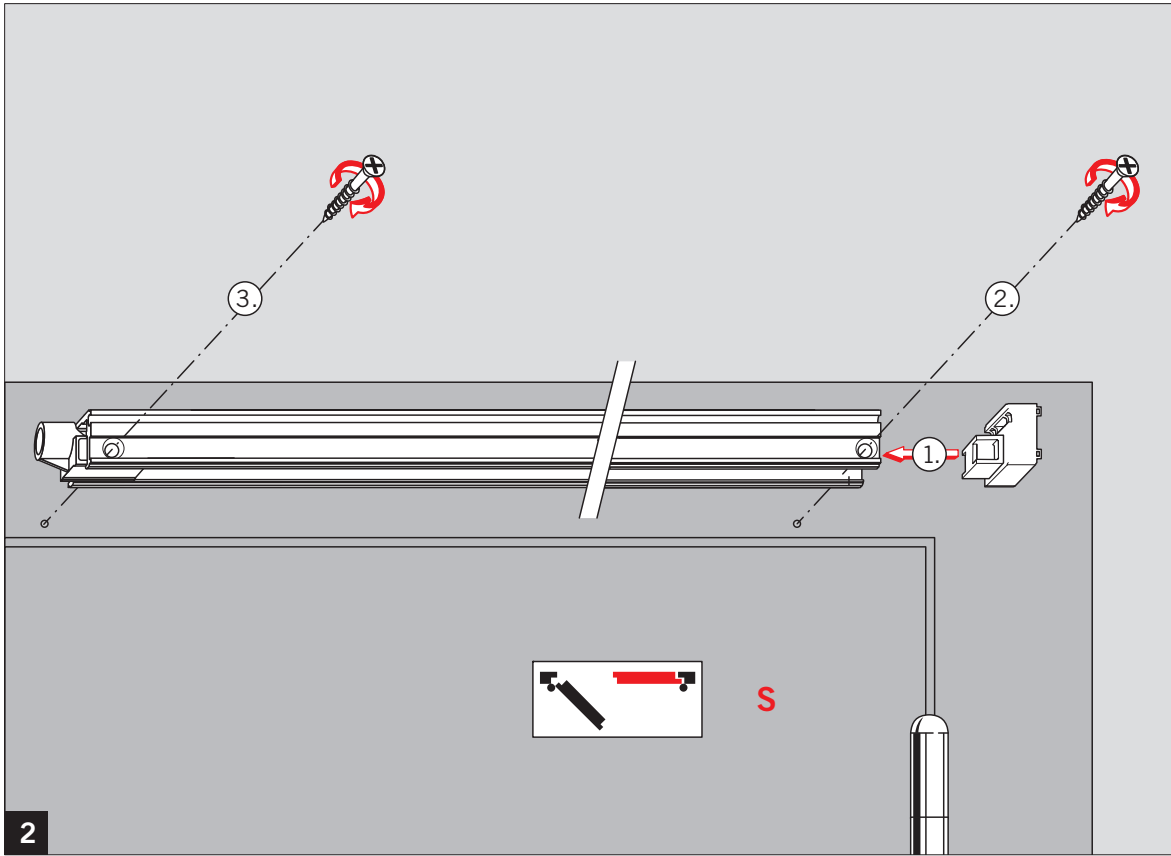


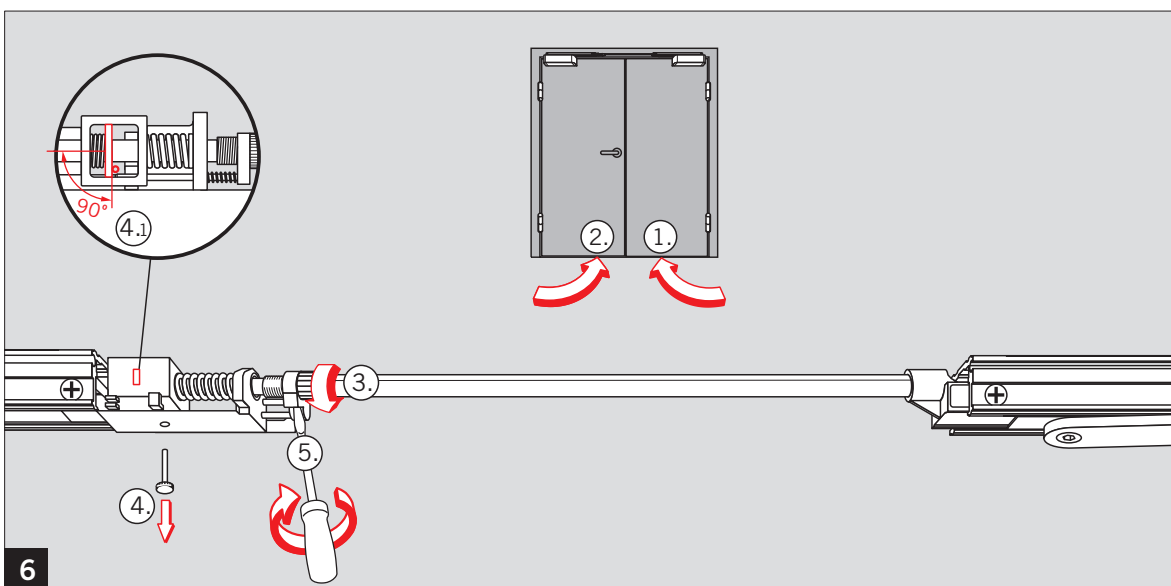
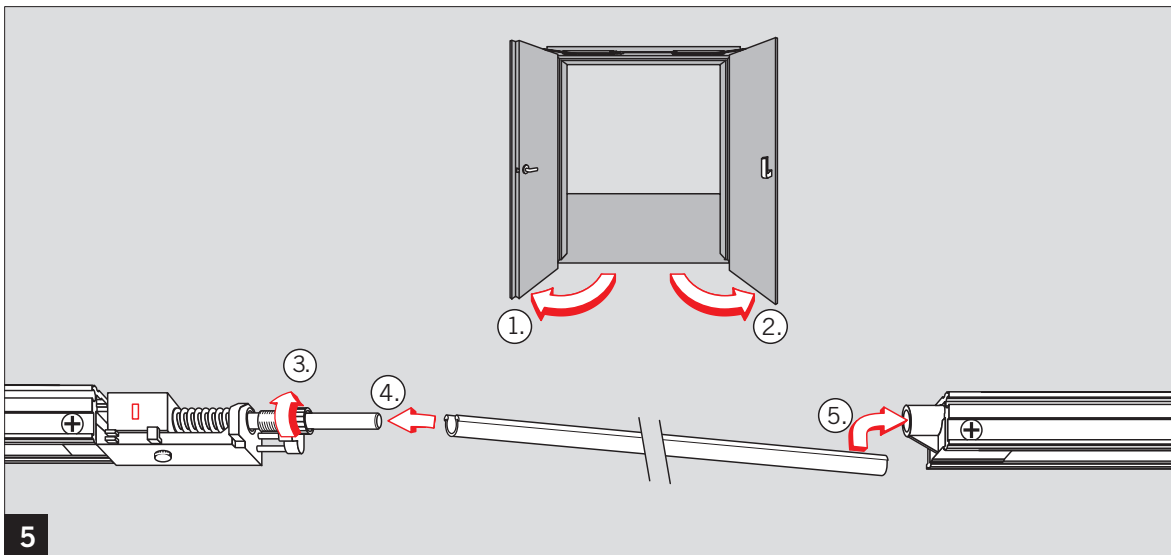
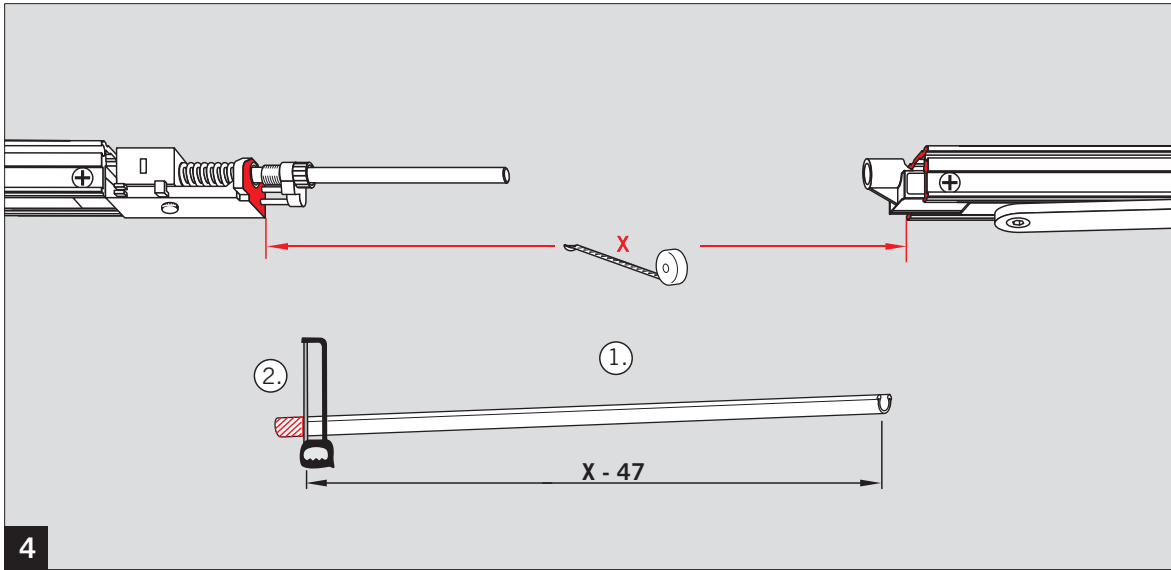
WN 056831 45532
09/05

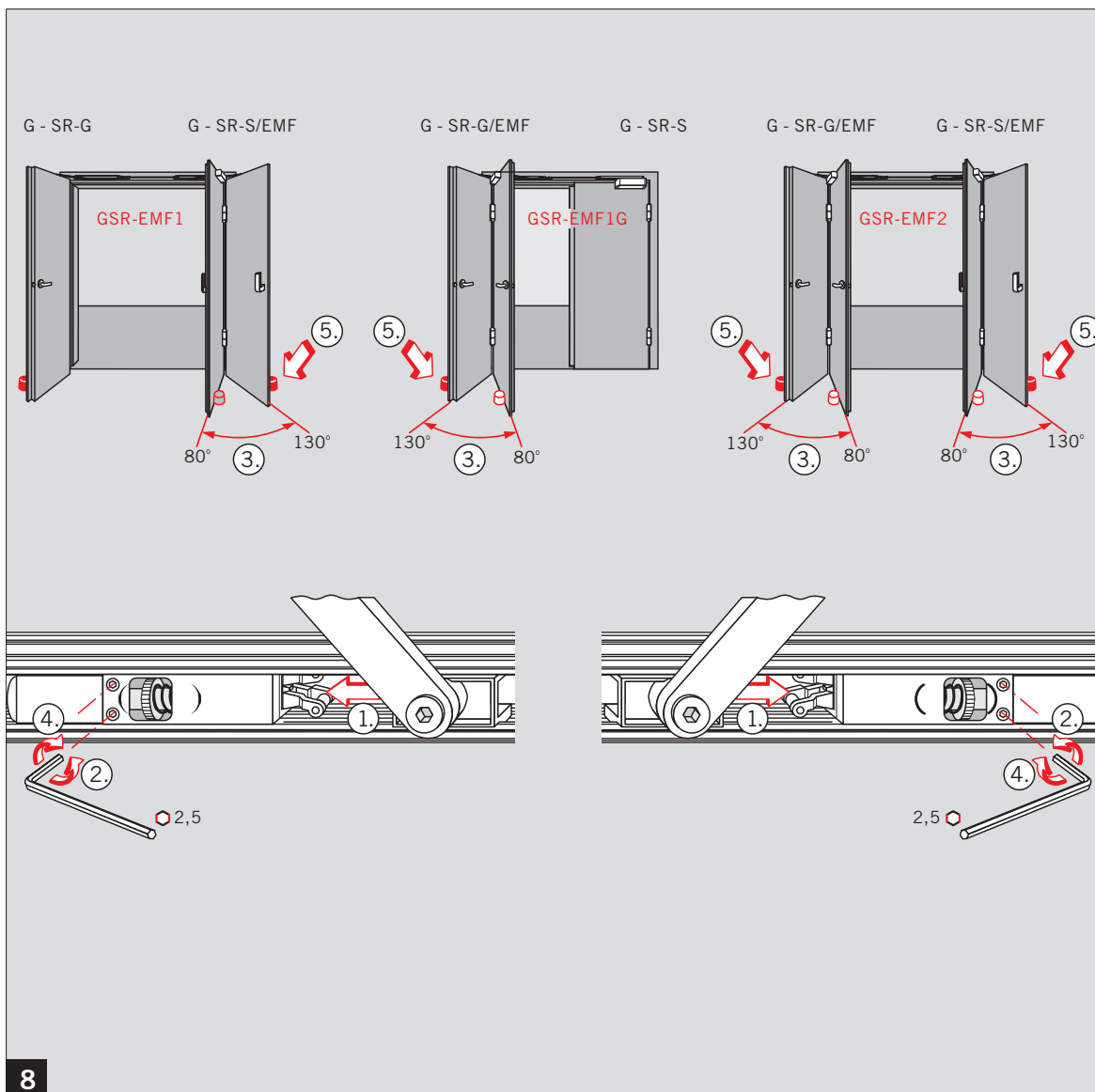
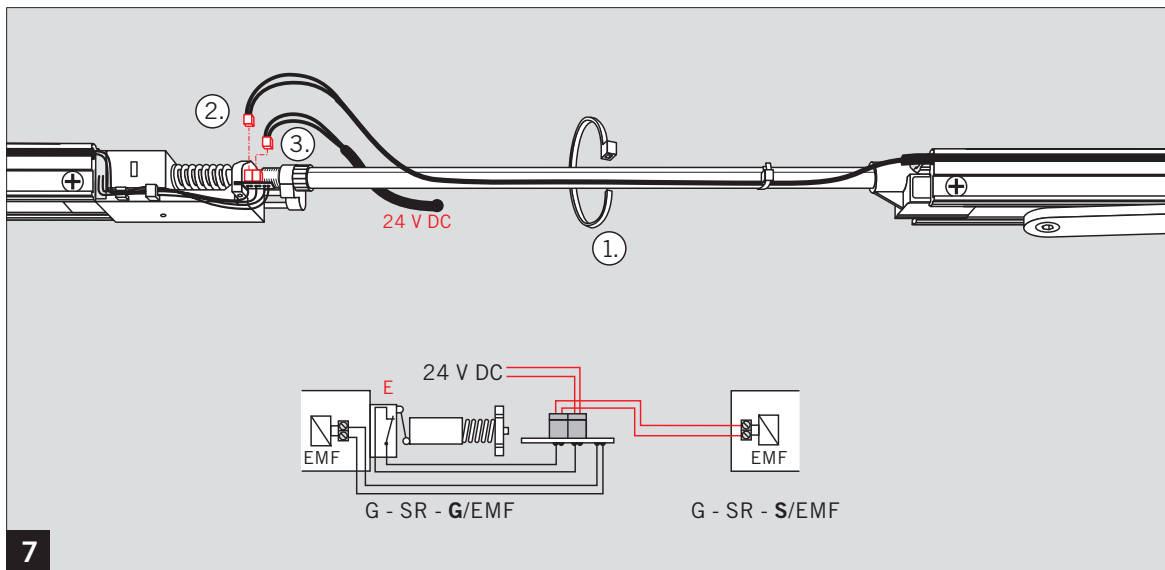
CE	DORMA GmbH + Co. KG Postfach 4009 58 247 Ennepetal		04	
	0432 - BPR 0026	EN 1158:1997+A1:2002	3 8	3-7 1 1 3
Dangerous substances: None				

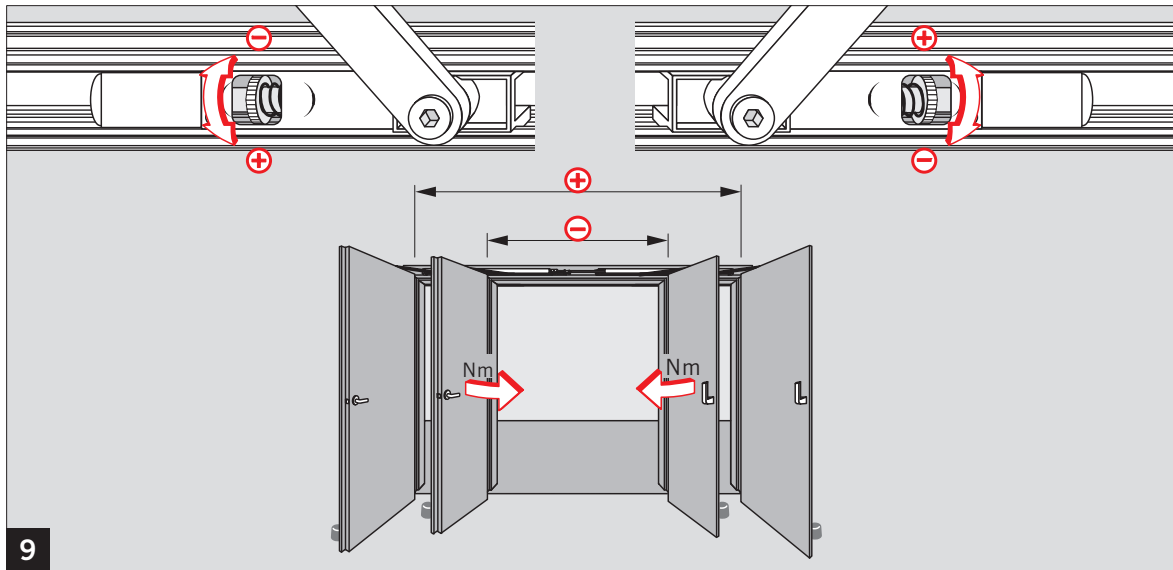
CE	DORMA GmbH + Co. KG Postfach 4009 58 247 Ennepetal		04	
	0432 - BPR 0025	EN 1155:1997+A1:2002	3 8	3-5 1 1 3
Dangerous substances: None				



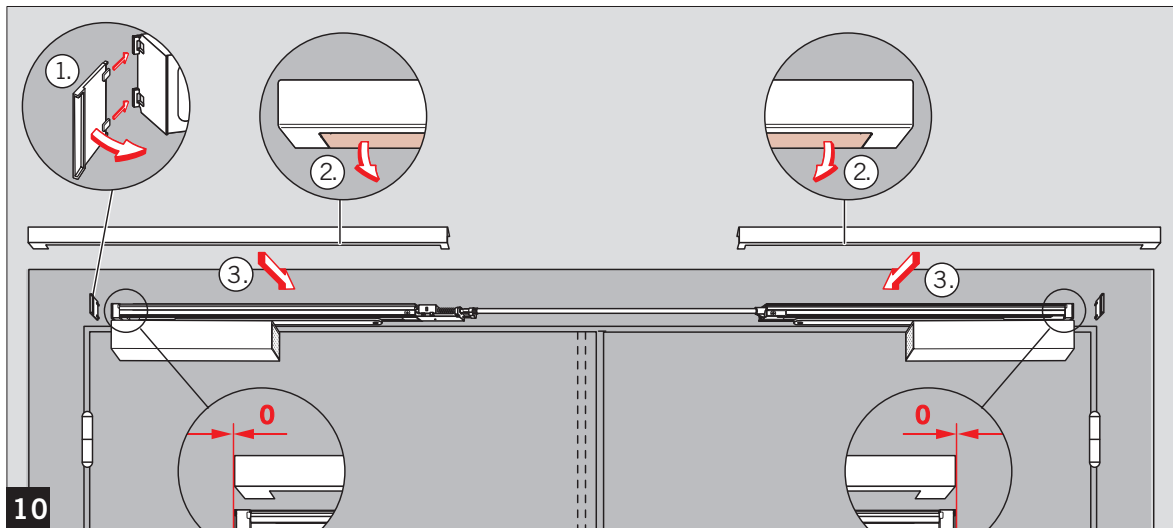




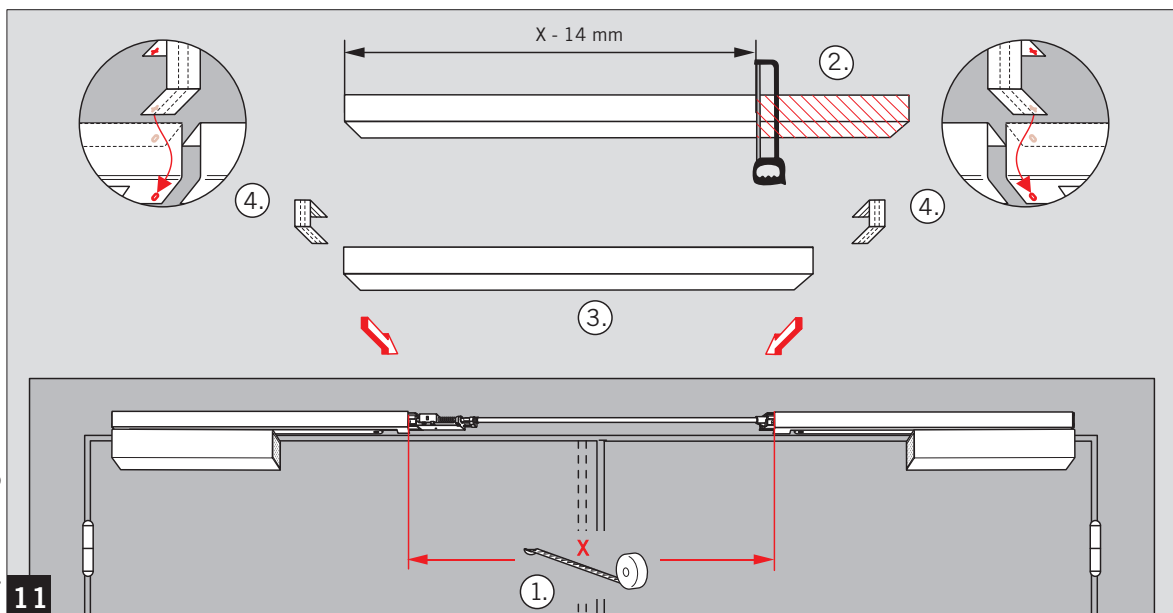




9



10



11

Änderungen vorbehalten
 Subject to change without notice

LEISTUNGSERKLÄRUNG DECLARATION OF PERFORMANCE



DOP_0080

EU Nr. 305/2011 Leistungserklärung de

Schließfolgeregler: **DORMA GSR, GSR DREHLAGER/PIVOT BEARING, MONTAGEPLATTEN SET/ADAPTER 30MM**

Vorgesehener Verwendungszweck des Bauprodukts gemäß der anwendbaren harmonisierten technischen Spezifikation:
selbstschließende Feuer- und Rauchschutztüren

Hersteller: DORMA GmbH + Co. KG - DORMA Platz 1 - 58256 Ennepetal

System zur Bewertung und Überprüfung der Leistungsbeständigkeit gemäß EU Nr. 305/2011 Anhang V: System 1.

Die notifizierte Stelle MPA NRW 0432 hat die Bewertung und Überprüfung der Leistungsbeständigkeit nach System 1 gemäß EU Nr. 305/2011 Anhang V vorgenommen und das Konformitätszertifikat ausgestellt: 0432-CPD-0026.

Die Leistung des Produkts entspricht der erklärten Leistung. Verantwortlich für die Erstellung dieser Leistungserklärung ist allein der Hersteller.

EU Nr. 305/2011 Declaration of Performance en

Door coordinator: **DORMA GSR, GSR DREHLAGER/PIVOT BEARING, MONTAGEPLATTEN SET/ADAPTER 30MM**

Intended use of the construction product in accordance with the applicable harmonized technical specification: On fire and smoke compartmentation doors to fulfil the self closing requirements of such doors.

Manufacturer: DORMA GmbH + Co. KG - DORMA Platz 1 - 58256 Ennepetal

System of assessment and verification of constancy of performance of the construction product as set out in EU Nr.305/2011 Annex V: System 1

The notified body MPA NRW 0432 performed the assessment and verification of constancy of performance in accordance with System 1 as set out in EU Nr. 305/2011 Annex V and issued the certificate(s) of conformity: 0432-CPD-0026.

The performance of the product is in conformity with the declared performance. The declaration of performance is issued under the sole responsibility of the manufacturer.

N° UE 305/2011 Déclaration des performances fr

Dispositifs de sélection de vantaux: **DORMA GSR, GSR DREHLAGER/PIVOT BEARING, MONTAGEPLATTEN SET/ADAPTER 30MM**

Utilisation prévue du produit du bâtiment conformément à la spécification technique harmonisée applicable: Portes coupe-feu et étanches aux fumées à fermeture automatique

Fabricant : DORMA GmbH + Co. KG - DORMA Platz 1 - 58256 Ennepetal

Système d'évaluation et de vérification de constance des performances conformément au Règlement du Parlement Européen n° 305/2011 Annexe V : Système 1.

L'organisme notifié MPA NRW 0432 a effectué l'évaluation et la vérification de constance des performances conformément aux exigences du Système 1 selon le Règlement du Parlement Européen n° 305/2011 Annexe V et a établi le/les certificats de conformité: 0432-CPD-0026.

Les performances du produit correspondent aux performances déclarées. La déclaration de performances relève de la seule responsabilité du fabricant.

LEISTUNGSERKLÄRUNG DECLARATION OF PERFORMANCE



Erklärte Leistung

Wesentliche Merkmale	Leistung	Harmonisierte technische Spezifikation
Selbstschließend	<ul style="list-style-type: none"> ▪ Anwendungsklasse 3 ▪ Schließfolgeregler-Größe EN3-7 ▪ Anwendbarkeit an Feuer- u. Rauchschutztüren Klasse 1 ▪ Sicherheit Klasse 1 	EN1158:1997 + A1:2002
Dauerhaftigkeit selbstschließend	<ul style="list-style-type: none"> ▪ Dauerfunktion 500 000 Zyklen Klasse 8 ▪ Hohe Korrosionsbeständigkeit Klasse 3 	
Gefährliche Substanzen	<ul style="list-style-type: none"> ▪ Besonders besorgniserregende Stoffe < Grenzwerte 	

Declared performance

Essential characteristic	Performance	Harmonised technical specification
Self-closing	<ul style="list-style-type: none"> ▪ Category of use grade 3 ▪ Door coordinator size EN3-7 ▪ Suitability for fire/smoke door use grade1 ▪ Safety grade 1 	EN1158:1997 + A1:2002
Durability of self-closing	<ul style="list-style-type: none"> ▪ Durability 500 000 cycles grade 8 ▪ High corrosion resistance grade 3 	
Dangerous substances	<ul style="list-style-type: none"> ▪ Substances of very high concern < threshold values 	

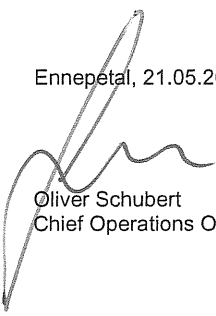
Expression des performances

Essentiel caractéristique	Performances	Norme européenne harmonisée
Fermeture automatique	<ul style="list-style-type: none"> ▪ Catégorie d'utilisation grade 3 ▪ Force du ferme-porte EN3-7 ▪ Aptitude pour une utilisation sur des blocs-portes résistant au feu et/ou étanches aux fumées grade 1 ▪ Sécurité grade 1 	EN1158:1997 + A1:2002
Endurance	<ul style="list-style-type: none"> ▪ Endurance 500 000 cycles d'essai grade 8 ▪ résistance élevée à la corrosion grade 3 	
Substances dangereuses	<ul style="list-style-type: none"> ▪ Substances extrêmement préoccupantes < valeurs limites 	

Unterzeichnet für den Hersteller und im Namen des Herstellers / Signed for and on behalf of the manufacturer by /

Signé pour le fabricant et en son nom par

Ennepetal, 21.05.2013


Oliver Schubert
Chief Operations Officer