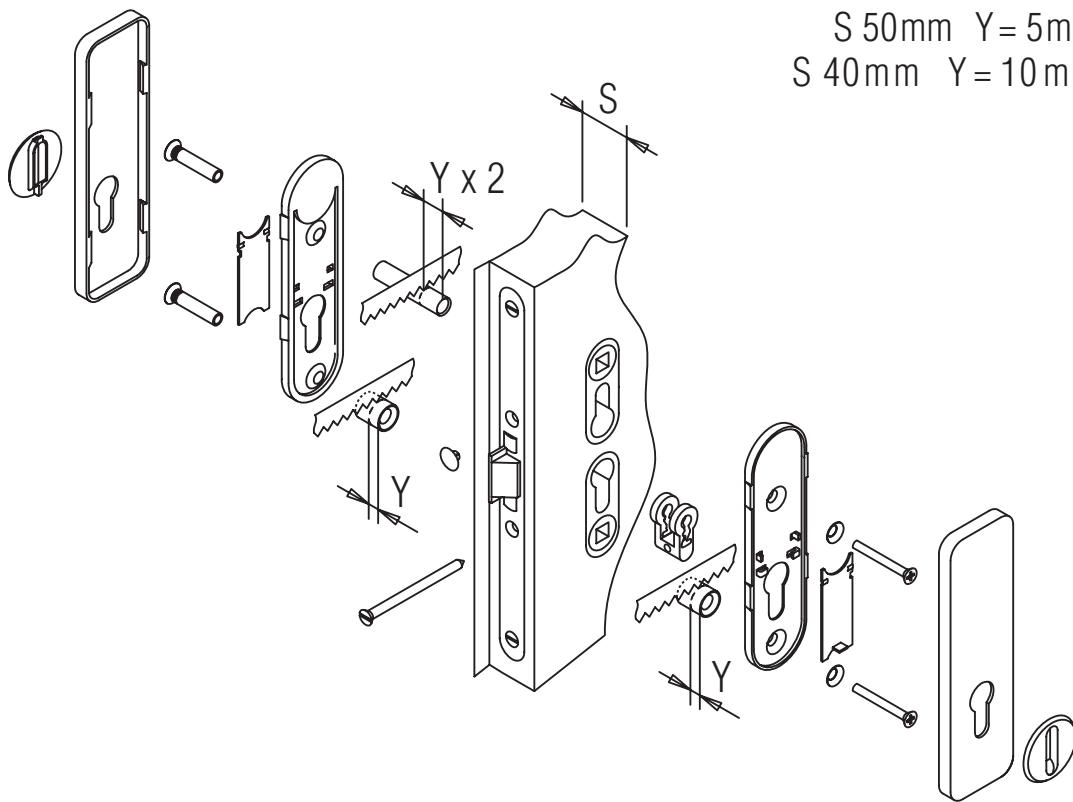


S 60mm Y= 0mm  
S 50mm Y= 5mm  
S 40mm Y= 10mm



**M5**

IM07 - 5012015 - 01/01